

A/V STANDS & ACCESSORIES

AV STANDS & ACCESSORIES

Sonorous provides audio&video related products with focus on quality, functionality and aesthetics. Founded in 2004, a solid position and reputation worldwide has been built up over the years. Now represented worldwide in more than 50 countries via strong partnerships with a global network of distributors.

Our products are engineered to meet the demanding needs of today's electronics and represent an attentive monitoring of market trends and changes. Continuous research into materials and finishes has been distinguishing characteristics of Sonorous.

WOOD SERIES	4 - 29
STUDIO SERIES	
RETRO SERIES	
MOOD SERIES	
LB SERIES	
TRN & TRD SERIES	
GLASS & METAL SERIES	30 - 35
PL SERIES	
SOUND SYSTEMS	36 - 41
PRO SERIES	42 - 43
WALL MOUNTS	44 - 54
FIXED	
TILT	
OMNI MOVE	
SOUNDBAR	
CABLE CHANNEL	
CABLES	55 - 60
HDMI	
AUDIO	
USB	
IR REPEATER	
ACCESSORIES	60 -62
REMOTE STAND	
TV STRAP - ANTI TIP	
SCREEN SOLUTION	
MONITOR STAND	

STUDIO SERIES

- FLAP DOOR WITH PUSH TO OPEN SYSTEM
- TOP PANEL TEMPERED GLASS
- FRONT DOOR WITH GLASS, WOOD DECORS OR FABRIC
- CABINET WITH BASE OR WALL HANGING (WALL HANGING ONLY FOR ST 110-160-260)
- ADJUSTABLE SHELVES FOR AV EQUIPMENT (ONLY FOR ST 160-161-200)
- EASY CABLE ACCESS BETWEEN SHELVES AND SECTIONS
- HIDDEN INFRARED REPEATER SYSTEM, REMOTE CONTROL FOR COMPONENTS BEHIND CABINET DOORS
- IR FRIENDLY FRONT GLASS (ONLY AVAILABLE FOR "I" MODEL)
- OPTIONAL BRACKET (EXCEPT ST 200)
- FULLY ASSEMBLED (A) OR DISASSEMBLED (D)
- ACOUSTIC FABRIC FOR AUDIO DEVICES INCLUDING CENTER SPEAKERS, SOUNDBARS
- ACOUSTIC PERFORATED DOOR FOR AUDIO DEVICES INCLUDING CENTER SPEAKERS, SOUNDBARS (ONLY FOR ST 200)

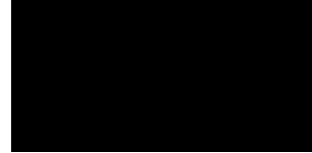
ST 110 ST 160 ST 200 ST 261 ST 361
 ST 111 ST 161 ST 260 ST 360 ST 362 ST 363

BODY COLORS

WHT-WHITE



BLK-BLACK



F- FLAP
 I- IR FRIENDLY GLASS
 T- TEXTILE
 P- PERFORATED(only for ST200)

DOOR OPTIONS AND COLORS

WOOD DECOR

CWN-CASTELLO WALNUT



VIC-VICTORIA



BNW-BLACK NORTH WOOD

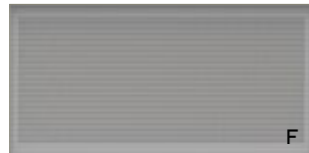


NOAK-NATURAL OAK



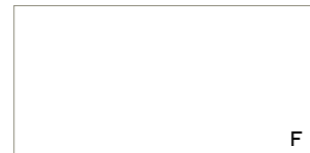
PERFORATED COLORS

WHT-WHITE



GLASS COLORS

WHT-WHITE

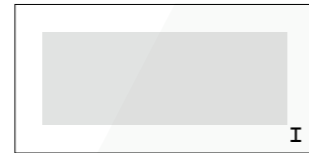


HOW (I) GLASS LOOKS

I-BLK-BLACK

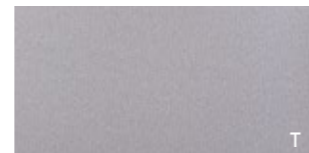


I-WHT-WHITE



TEXTILE

GRY-GREY

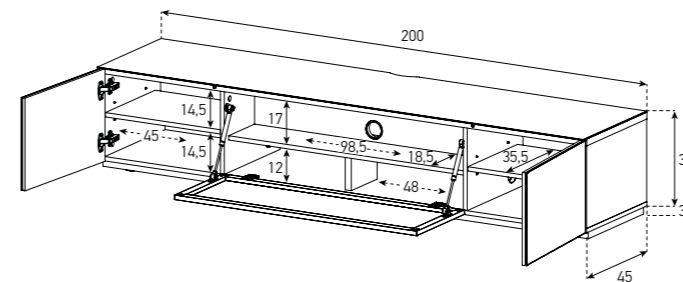


BLK-BLACK



STA 200P-WHT-WHT-BS

- MAX TOP LOAD
100 KG
- IDEAL SCREEN SIZE
85"

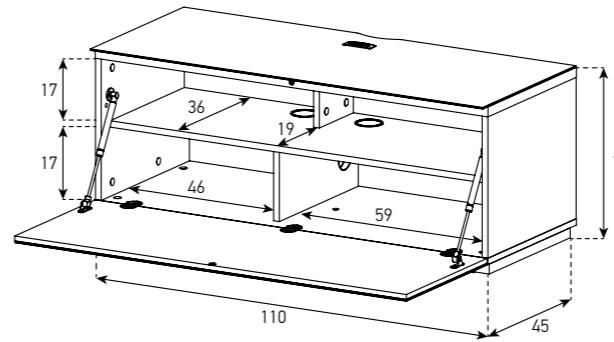






STA 360F-WHT-NOAK-SL

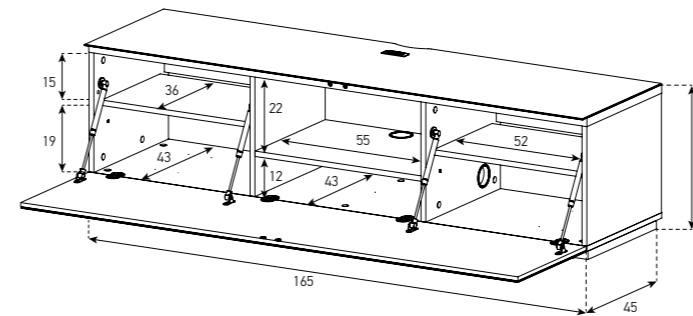
STA 110F-WHT-WHT-BS

-  MAX TOP LOAD
60 KG
-  IDEAL SCREEN SIZE
52"





STA 160F-BLK-CWN-BS

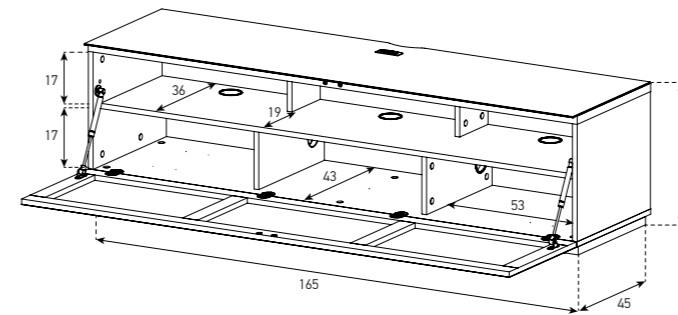
-  MAX TOP LOAD
60 KG
-  IDEAL SCREEN SIZE
70"



STA 200P-WHT-WHT-BS

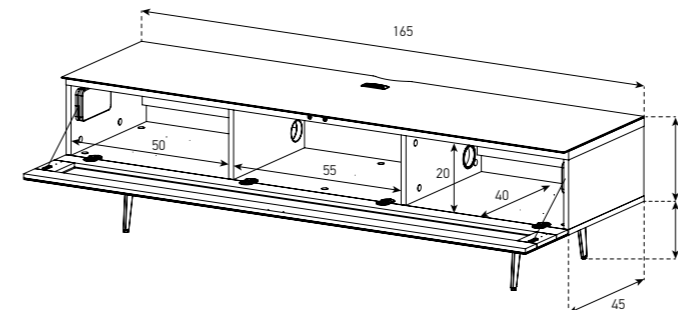
STA 260T-WHT-BLK-BS

-  MAX TOP LOAD
60 KG
-  IDEAL SCREEN SIZE
70"



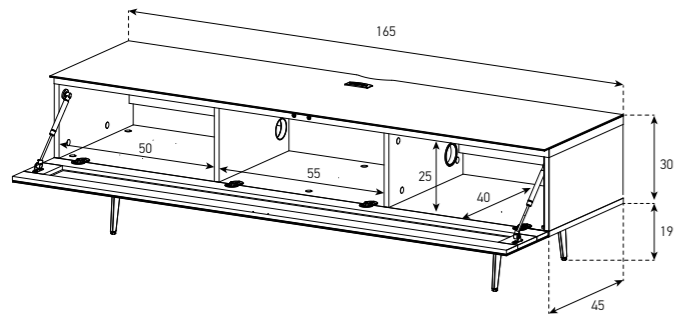
STA 360I-WHT-WHT-SL

-  MAX TOP LOAD
60 KG
-  IDEAL SCREEN SIZE
70"



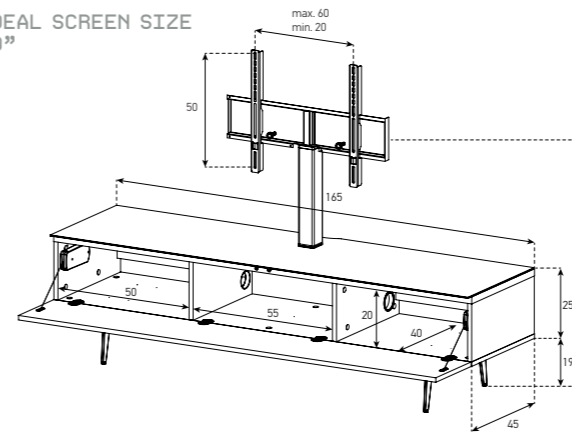
STA 362I-WHT-BLK-SL

- MAX TOP LOAD
60 KG
- IDEAL SCREEN SIZE
76"



STA 361F-BLK-BLK-SL

- MAX BRACKET LOAD
50 KG
- IDEAL SCREEN SIZE
68"

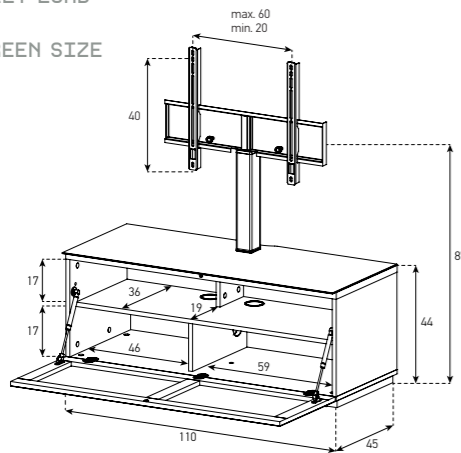


45°



STA 111T-BLK-BLK-BS

- MAX BRACKET LOAD
50 KG
- IDEAL SCREEN SIZE
52"

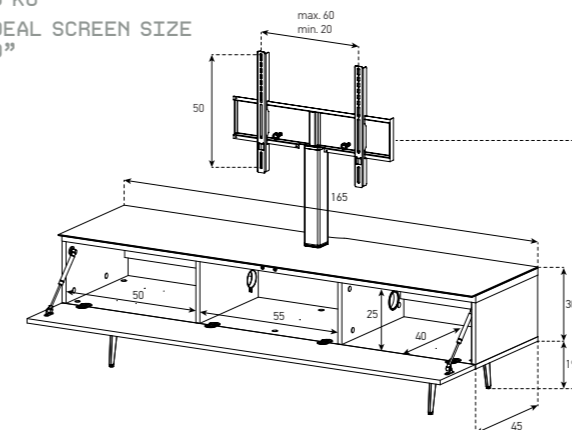


45°



STA 363F-BLK-BNW-SL

- MAX BRACKET LOAD
50 KG
- IDEAL SCREEN SIZE
68"

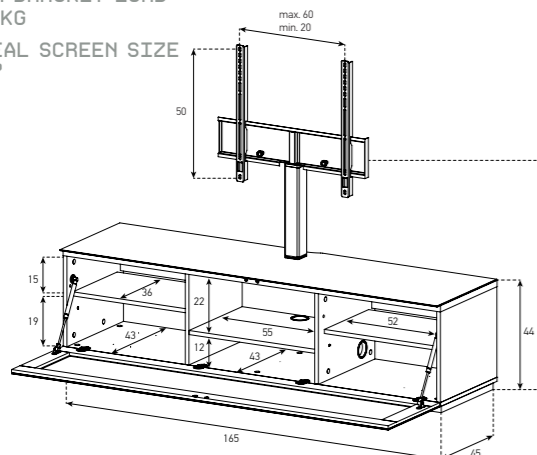


45°



STA 161I-WHT-WHT-BS

- MAX BRACKET LOAD
50 KG
- IDEAL SCREEN SIZE
68"

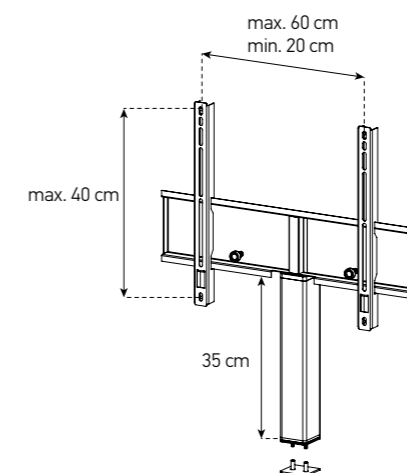


45°



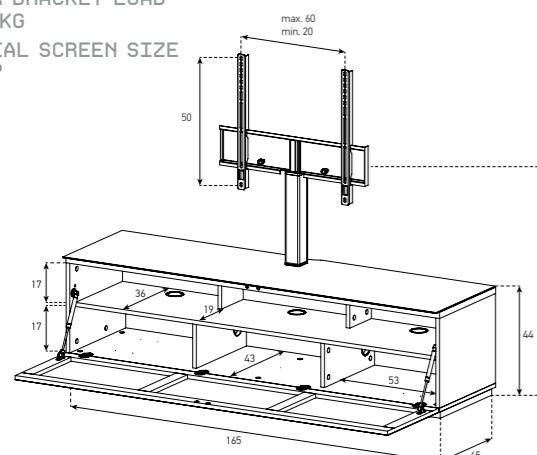
Bracket Kit ST-ADP-SLV-4060

- MAX BRACKET LOAD
50 KG
- IDEAL SCREEN SIZE
68"



STA 261T-BLK-BLK-BS

- MAX BRACKET LOAD
50 KG
- IDEAL SCREEN SIZE
68"

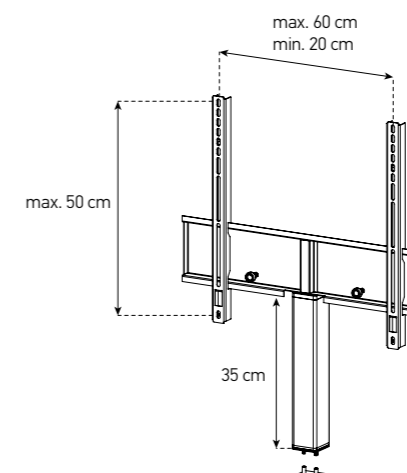


45°



Bracket Kit ST-ADP-HBLK-5060

- MAX BRACKET LOAD
50 KG
- IDEAL SCREEN SIZE
68"



STA 110I-BLK-BLK-WL



STA 110F-BLK-BLK-BS



CODE SAMPLE

STA 110F-WHT-WHT-BS

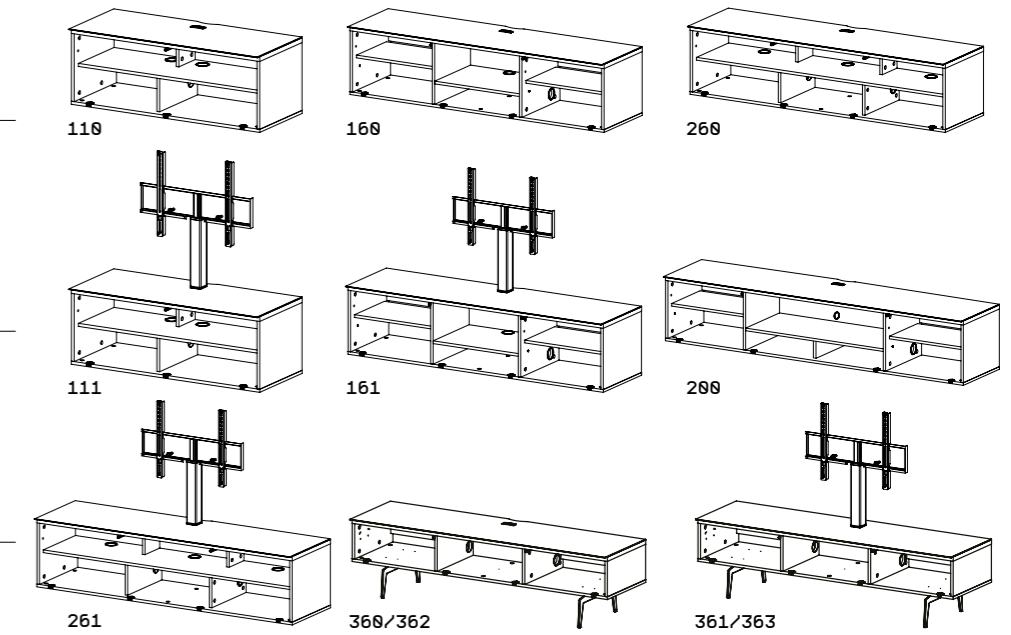
1 2 3 4 5 6 7

1- STUDIO SERIES

2- ASSEMBLE OPTION

- (A) - ASSEMBLED
- (D) - DISASSEMBLED

3- MODEL



4- DOOR OPTION

- (F) - FLAP (NOT APPLICABLE TO 260/261 MODELS)
- (I) - IR FRIENDLY (GLASS)
- (T) - TEXTILE
- (P) - PERFORATED (ONLY FOR ST 200)

5- BODY COLOR

- (BLK) - BLACK
- (WHT) - WHITE

6- DOOR COLOR

- (WHT) - WHITE
- (BLK) - BLACK
- (CWN) - CASTELLO WALNUT
- (BNW) - BLACK NORTH WOOD
- (NOAK) - NATURAL OAK
- (VIC) - VICTORIA
- (GRY) - GREY

APPLICABLE DOOR OPTIONS

- (F) (I) (P)
- (F) (I) (T) (P)
- (F)
- (F)
- (F)
- (T)

7- FLOOR/WALL OPTION

- (BS) - BASE
- (WL) - WALL HANGING (EXCEPT 300 SERIES AND ST 200)
- (BW) - BASE & WALL HANGING
- (SL) - STEEL LEGS (ONLY AVAILABLE FOR 300 SERIES)

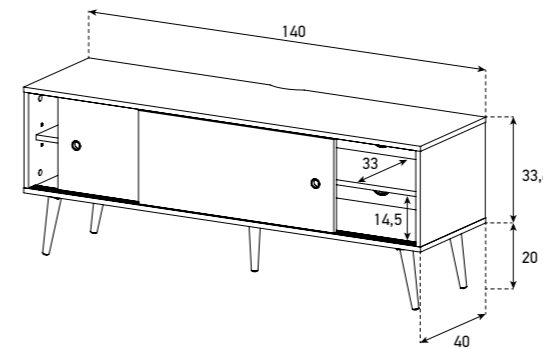
RETRO SERIES

- Contemporary design to complement your décor
- Sturdy construction to support large screen TVs up to 70"
- Dimensions: 140/180 cm X 54 cm X 40 cm
- Max. Top load : 60 kg
- Optimum dimension to accommodate your AV equipment
- Conical solid wood feet
- Two sliding doors with several uni-decor colors
- Cable management system
- Adjustable shelves to optimize spaces for AV equipments



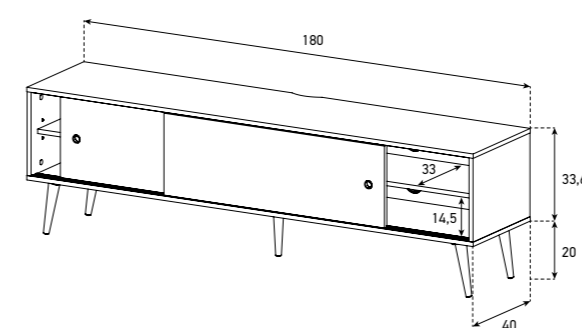
RTR 140-BLK-BNW

- MAX TOP LOAD
60 KG
- IDEAL SCREEN SIZE
60"



RTR 180-WHT-VIC

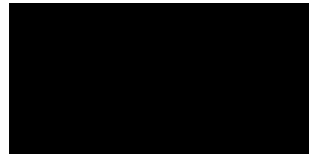
- MAX TOP LOAD
60 KG
- IDEAL SCREEN SIZE
70"



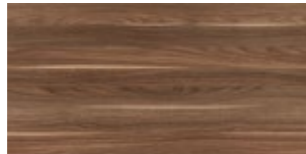
RTR 140
RTR 180

BODY COLORS

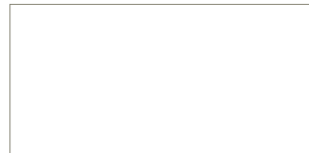
BLK-BLACK



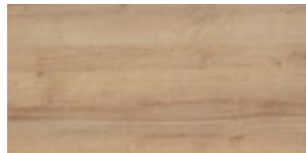
VIC-VICTORIA



WHT-WHITE



NOAK-NATURAL OAK



DOOR COLORS

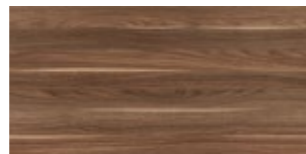
GBLK-GLOSSY BLACK



CWN-CASTELLO WALNUT



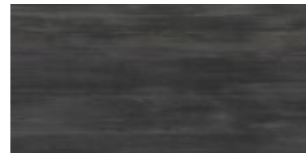
VIC-VICTORIA



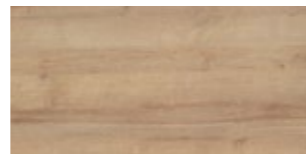
GWHT-GLOSSY WHITE



BNW-BLACK NORTH WOOD



NOAK-NATURAL OAK



MOOD SERIES

- TEMPERED GLASS WITH FLAT POLISHED EDGE
- ANODIZED OR POWDER COATED ALUMINIUM PROFILES IN BACK COLUMN AND LEGS
- MELAMINE FACED WOOD FOR FINISHING CABINETS
- NON-SCRATCH HIGH GLOSS FLAP OR DRAWER DOORS
- ENOUGH SPACE FOR A/V EQUIPMENT
- CABINET FLAP FOR DVD HOLDER
- CABINET DRAWER WITH "SILENT STOP"
- INTEGRATED CABLE MANAGEMENT SYSTEM
- HIDDEN CASTERS
- (24°) SWIVEL SYSTEM
- ADJUSTABLE HEIGHT FOR BRACKET (+/- 75 MM)

- | | | |
|---------|---------|---------|
| MD 8140 | MD 8340 | MD 9240 |
| MD 8143 | MD 8540 | MD 9340 |
| MD 8240 | MD 9140 | MD 9540 |

GLASS COLORS

C-CLEAR



B-BLACK



WOOD FINISHING

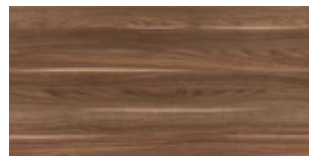
BLK-BLACK



CWN-CASTELLO WALNUT



VIC-VICTORIA



ALUMINIUM FINISHING

INX-INOX



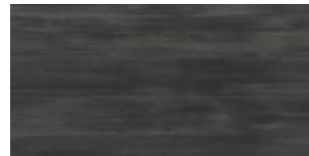
HBLK-HIGH GLOSS BLACK



WHT-WHITE



BNW-BLACK NORTH WOOD



NOAK-NATURAL OAK



GRP-GRAPHITE

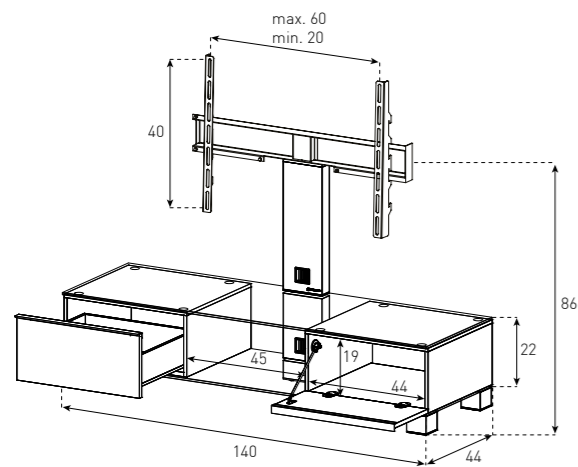


RED-RED



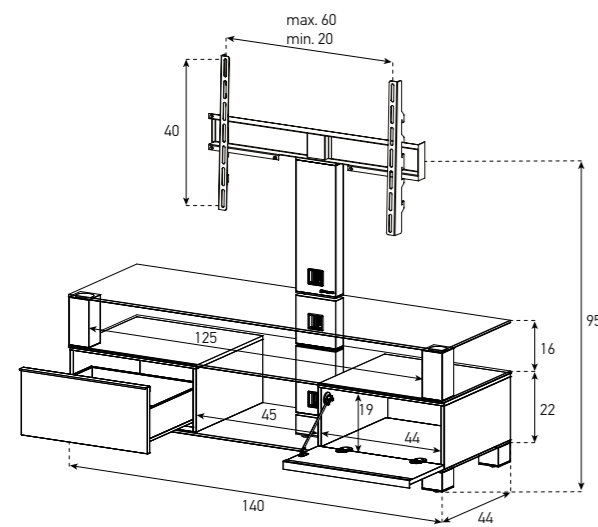
MD 8140-C-INX-WHT

- MAX BRACKET LOAD
50 KG
- IDEAL SCREEN SIZE
60"



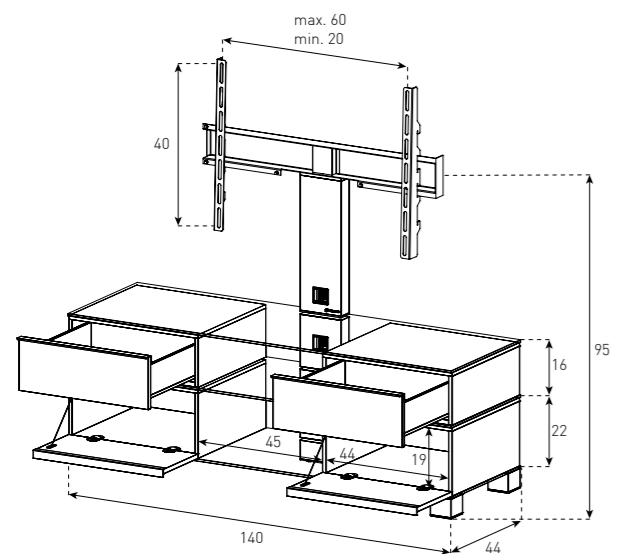
MD 8143-B-HBLK-BLK

- MAX BRACKET LOAD
50 KG
- IDEAL SCREEN SIZE
60"



MD 8240-C-INX-RED

- MAX BRACKET LOAD
50 KG
- IDEAL SCREEN SIZE
60"

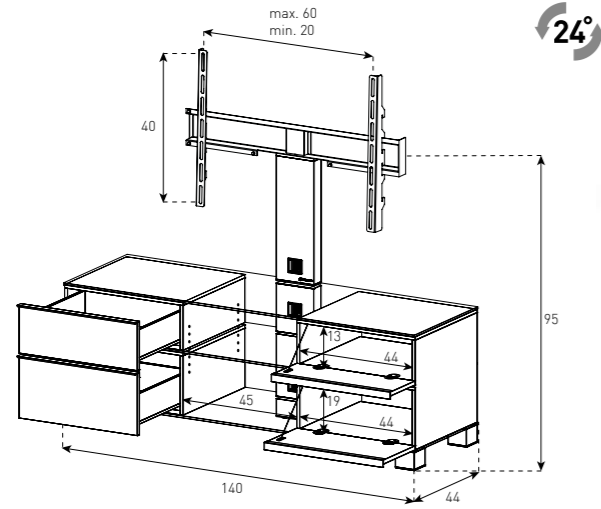


MD 8240-C-INX-WHT



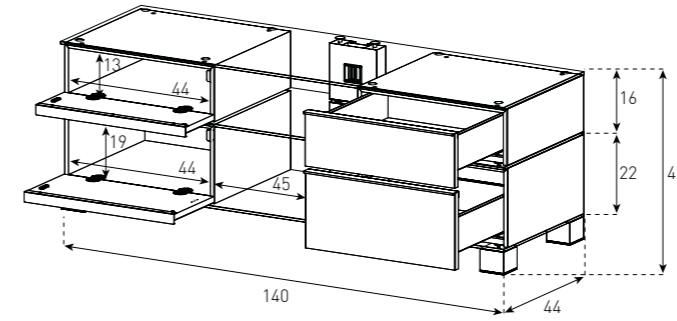
MD 8340-B-INX-BLK

- MAX BRACKET LOAD
50 KG
- IDEAL SCREEN SIZE
60"



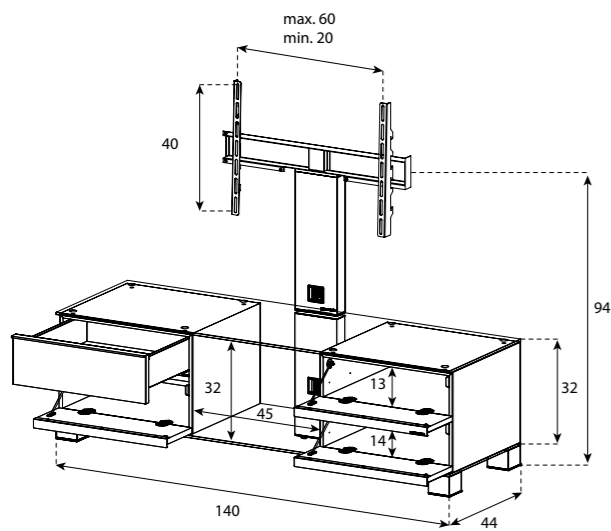
MD 9240-B-INX-NOAK

- MAX TOP LOAD
80 KG
- IDEAL SCREEN SIZE
60"



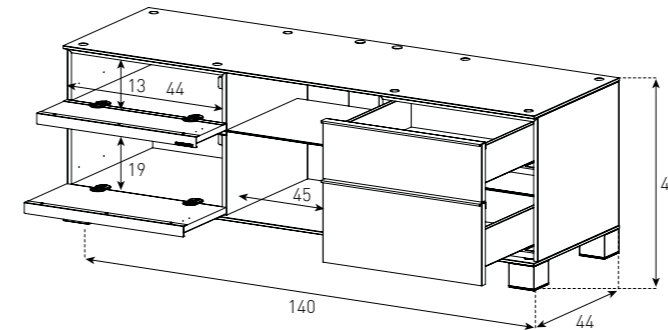
MD 8540-B-INX-VIC

- MAX BRACKET LOAD
50 KG
- IDEAL SCREEN SIZE
60"



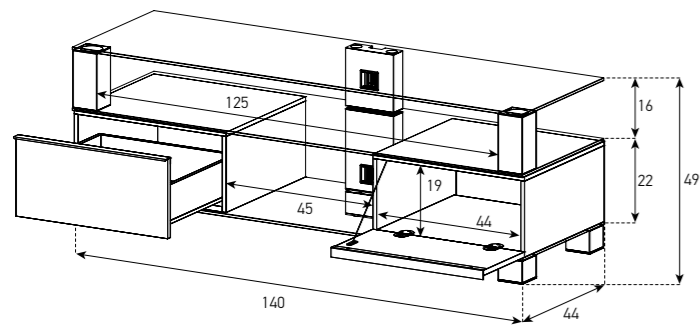
MD 9340-B-INX-BNW

- MAX TOP LOAD
80 KG
- IDEAL SCREEN SIZE
60"



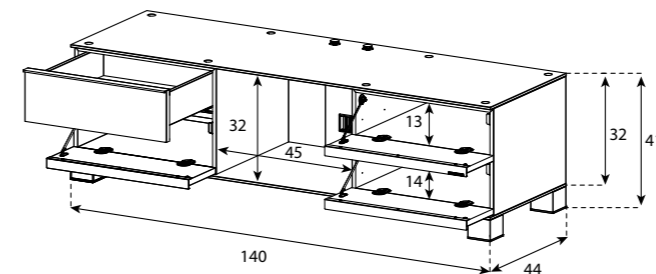
MD 9140-B-HBLK-NOAK

- MAX TOP LOAD
80 KG
- IDEAL SCREEN SIZE
60"



MD 9540-B-INX-CWN

- MAX TOP LOAD
80 KG
- IDEAL SCREEN SIZE
60"



LB SERIES

LB 1620 / LB 1621

TOP PANEL COVERED WITH BLACK TEMPERED GLASS OR WALNUT WOOD DECOR
 TEMPERED GLASS FRONT DOORS, REMOTE CONTROL WORKS THROUGH
 REMOVABLE MIDDLE SHELVES
 MIDDLE DOOR COVERED WITH FABRIC (ONLY FOR LB 1621)
 SHELVES FOR AV EQUIPMENT / SUBWOOFER
 HIDDEN CASTERS

LB 1123 / LB 2120

BLACK TEMPERED GLASS
 DRAWERS WITH PUSH TO OPEN SYSTEM
 HIDDEN CASTERS

LB 1530 / 1830 / 1840 / 1540 / 1181 / 2030

BLACK TOP PANEL COVERED WITH BLACK TEMPERED GLASS
 GLOSSY AND WOOD DECOR FRONT DOORS
 REMOVABLE MIDDLE SHELVES
 DRAWERS WITH PUSH TO OPEN SYSTEM

LB 1123²
 LB 1181⁴
 LB 1530³

LB 1540³
 LB 1620⁴
 LB 1621⁴

LB 1830³
 LB 1840³
 LB 2030³

LB 2120²
 LB 124⁵
 LB 144⁵

GLASS COLORS

B-BLACK



BODY COLORS

BLK-BLACK



GBLK-GLOSSY BLACK

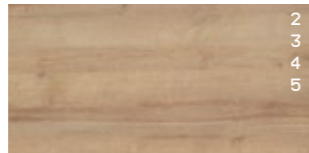


DOOR COLORS

GBLK-GLOSSY BLACK



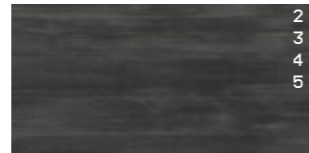
NOAK-NATURAL OAK



GWHT-GLOSSY WHITE



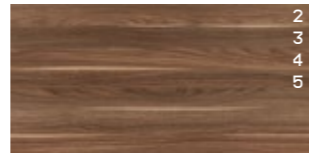
BNW-BLACK NORTH WOOD



CWN-CASTELLO WALNUT

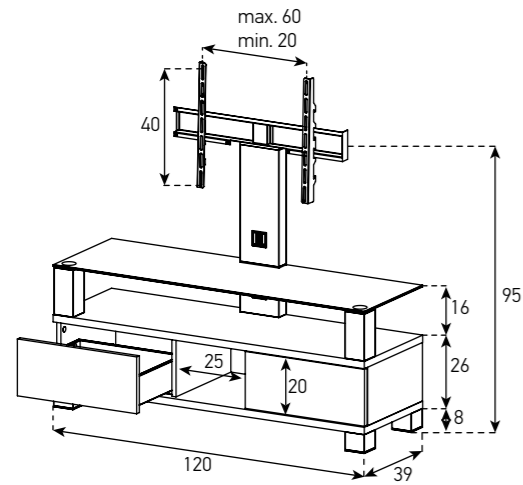


VIC-VICTORIA



LB 1123-B-BLK-GBLK

- MAX BRACKET LOAD
40 KG
- IDEAL SCREEN SIZE
50"

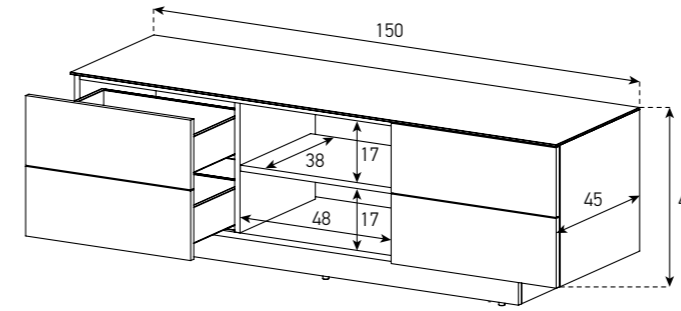


24°



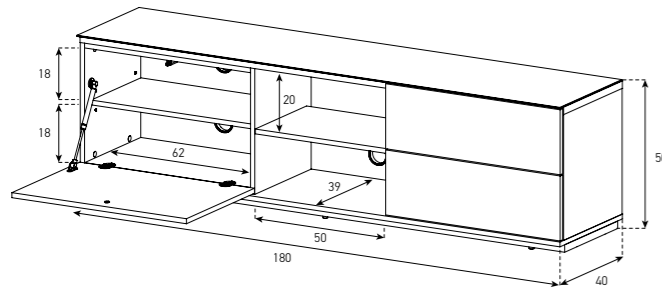
LB 1540-B-GBLK-NOAK

- MAX TOP LOAD
40 KG
- IDEAL SCREEN SIZE
50"



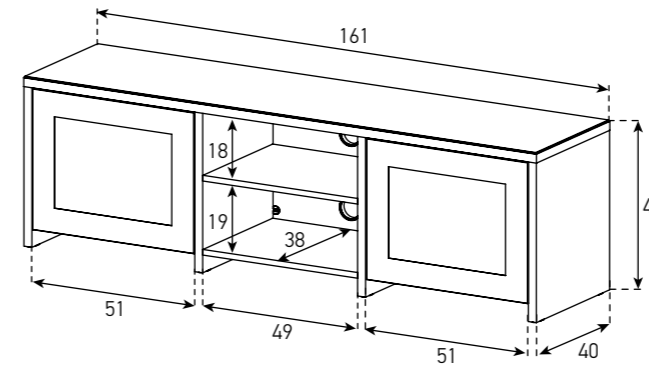
LB 1181-B-BLK-CWN

- MAX TOP LOAD
40 KG
- IDEAL SCREEN SIZE
50"



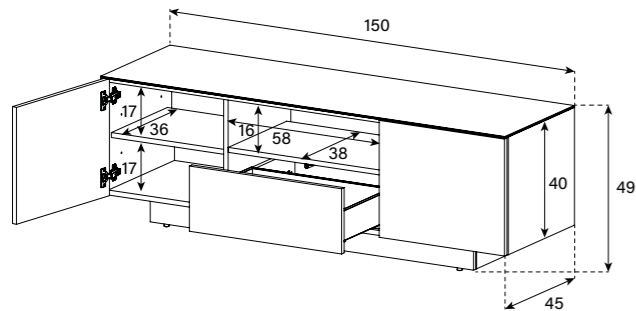
LB 1620-B-BLK

- MAX TOP LOAD
80 KG
- IDEAL SCREEN SIZE
78"



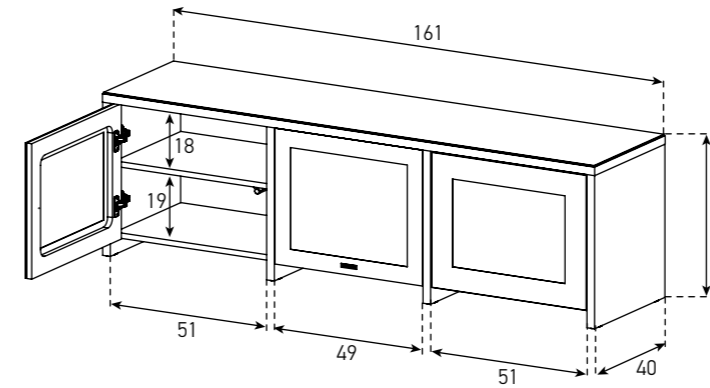
LB 1530-B-GBLK-CWN

- MAX TOP LOAD
40 KG
- IDEAL SCREEN SIZE
50"



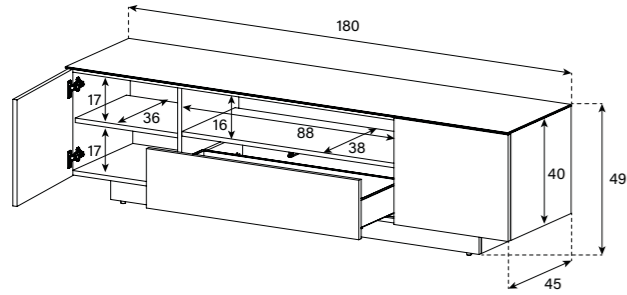
LB 1621-B-BLK

- MAX TOP LOAD
80 KG
- IDEAL SCREEN SIZE
78"



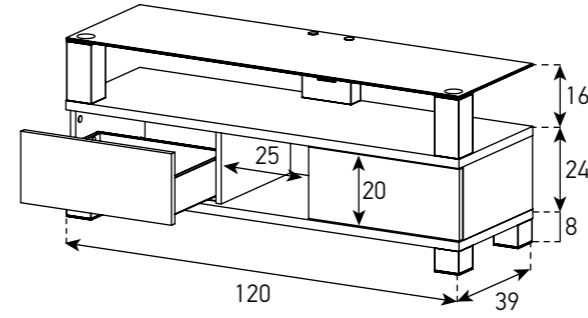
LB 1830-B-GBLK-BNW

- MAX TOP LOAD
50 KG
- IDEAL SCREEN SIZE
70"



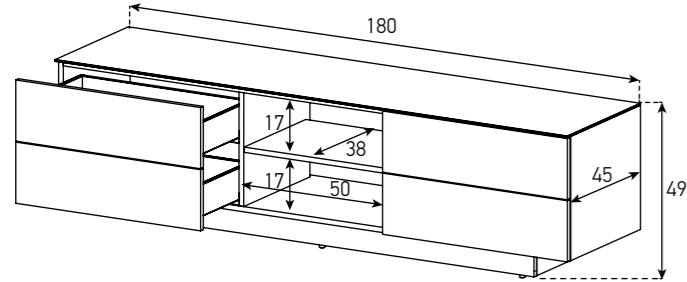
LB 2120-B-BLK-GBLK

- MAX TOP LOAD
50 KG
- IDEAL SCREEN SIZE
50"



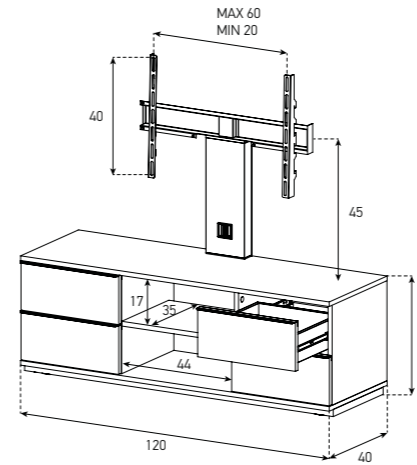
LB 1840-B-GBLK-GWHT

- MAX TOP LOAD
80 KG
- IDEAL SCREEN SIZE
70"



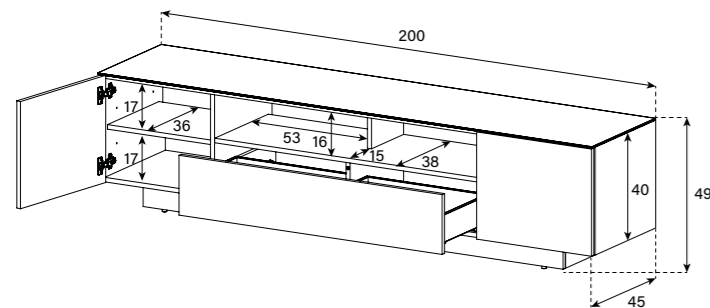
LB 124-BLK-BLK

- MAX TOP LOAD
50 KG
- IDEAL SCREEN SIZE
50"



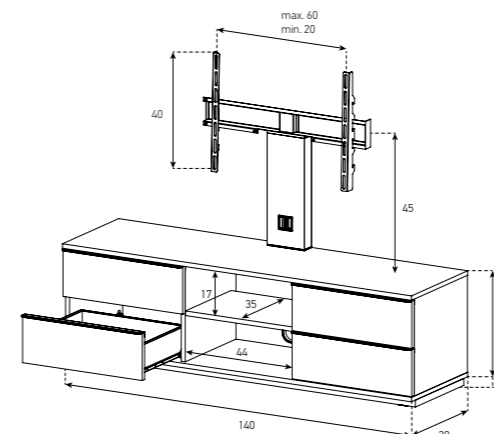
LB 2030-B-GBLK-VIC

- MAX TOP LOAD
80 KG
- IDEAL SCREEN SIZE
82"



LB 144-BLK-NOAK

- MAX TOP LOAD
50 KG
- IDEAL SCREEN SIZE
55"



TRN & TRD SERIES

TRN

TOP PANEL BLACK TEMPERED GLASS
WOOD CABINET WITH FLAP DOOR AND/OR DRAWERS
HIDDEN CASTORS
SHELVES FOR A/V EQUIPMENTS

TRD

WOOD CABINET WITH FLAP DOWN OR SIDE OPENING DOORS
SHELVES FOR A/V EQUIPMENTS

TRN 1113¹
TRN 1133¹
TRN 2110¹
TRN 2130¹

TRD 90²
TRD 100²
TRD 120²
TRD 150²

GLASS COLORS

B-BLACK



ALUMINIUM FINISHING

SLV-SILVER

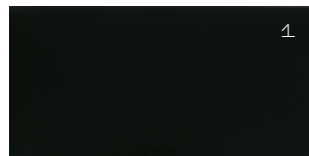


HBLK-HIGH GLOSS BLACK



BODY COLORS

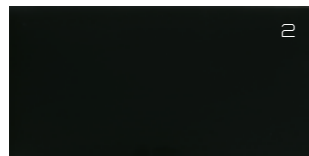
BLK-BLACK



GWHT-GLOSSY WHITE



GBLK-GLOSSY BLACK



DOOR COLORS

GBLK-GLOSSY BLACK



VIC-VICTORIA



CWN-CASTELLO WALNUT



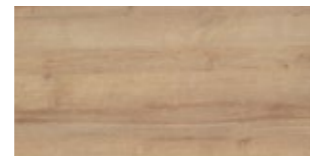
GWHT-GLOSSY WHITE



BNW-BLACK NORTH WOOD



NOAK-NATURAL OAK



TRN 1113-B-BLK-NOAK

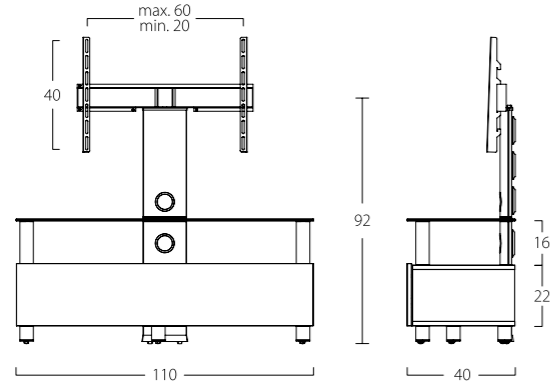


TRD 150-GBLK-GWHT



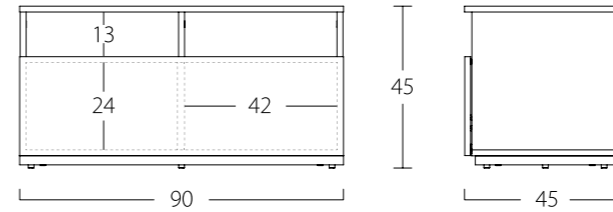
TRN 1113-B-BLK-GWHT

- MAX BRACKET LOAD
50 KG
- IDEAL SCREEN SIZE
46"



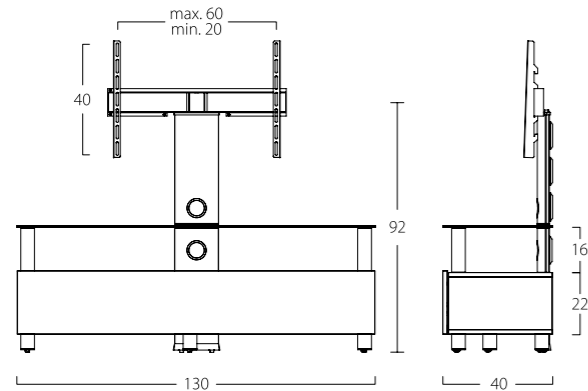
TRD 90-GBLK-VIC

- MAX LOAD
50 KG
- IDEAL SCREEN SIZE
42"



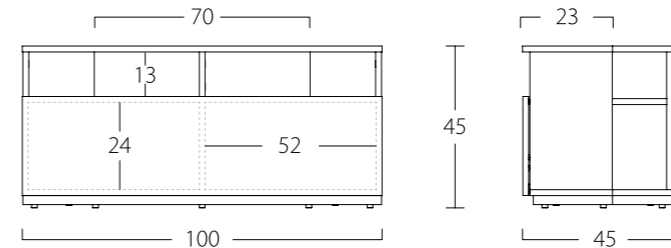
TRN 1133-B-BLK-NOAK

- MAX BRACKET LOAD
50 KG
- IDEAL SCREEN SIZE
55"



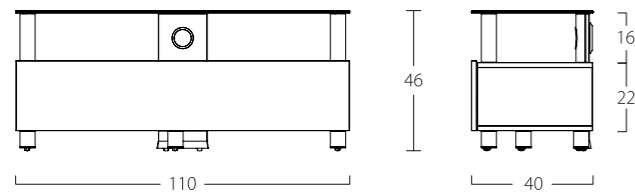
TRD 100-GBLK-NOAK

- MAX LOAD
50 KG
- IDEAL SCREEN SIZE
50"



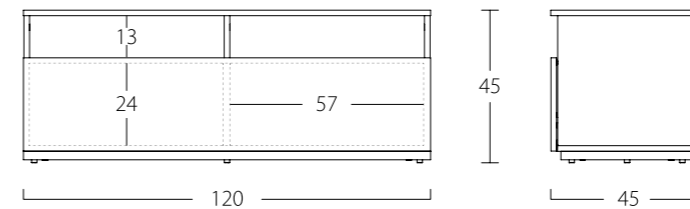
TRN 2110-B-BLK-BNW

- MAX LOAD
50 KG
- IDEAL SCREEN SIZE
46"



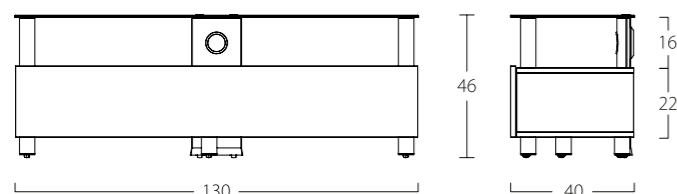
TRD 120-GBLK-CWN

- MAX LOAD
50 KG
- IDEAL SCREEN SIZE
55"



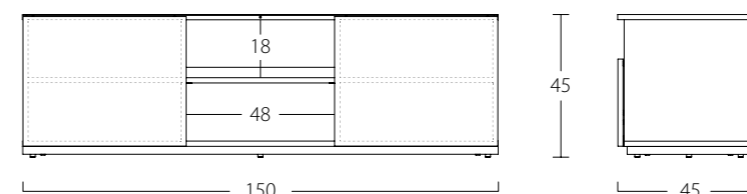
TRN 2130-B-BLK-CWN

- MAX LOAD
50 KG
- IDEAL SCREEN SIZE
55"



TRD 150-GWHT-NOAK

- MAX LOAD
50 KG
- IDEAL SCREEN SIZE
60"



PL SERIES

TEMPERED GLASS WITH FLAT POLISHED EDGE
 ELLIPTICAL OR RECTANGLE SHAPED ALUMINIUM
 INTEGRATED CABLE MANAGEMENT SYSTEM
 HIDDEN CASTERS
 SWIVEL SYSTEM
 ADJUSTABLE HEIGHT FOR BRACKET

PL 2335⁴ PL 2515³ PL 2810²
 PL 2345⁴ PL 2700⁴
 PL 2510³ PL 2710⁴
 PL 2511³ PL 2800²

ALUMINIUM COLORS

SLV-SILVER



HBLK-HIGH GLOSS BLACK



INX-INOX



GLASS COLORS

C-CLEAR



B-PIANOBLACK



PL2700-PL2710-PL2800-PL2810
 GLASS COLOR OPTIONS

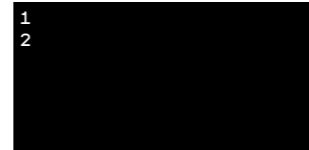
WHT-WHITE



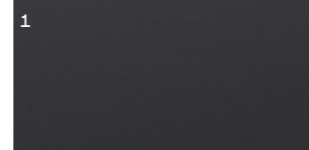
RED-RED



BLK-BLACK

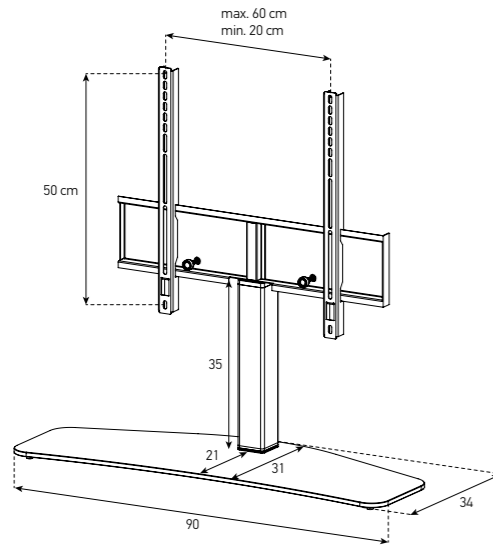


GRP-GRAPHITE



PL 2335-B-HBLK

- MAX BRACKET LOAD
40 KG
- IDEAL SCREEN SIZE
60"

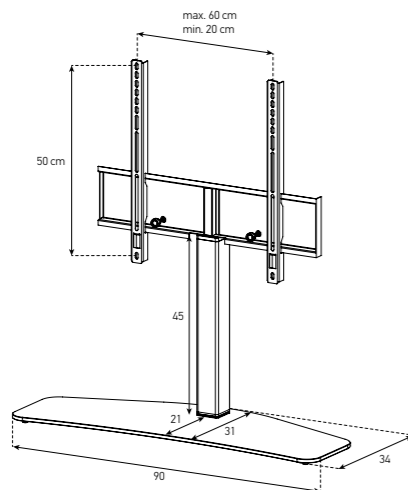


45°



PL 2345-B-HBLK

- MAX BRACKET LOAD
40 KG
- IDEAL SCREEN SIZE
60"

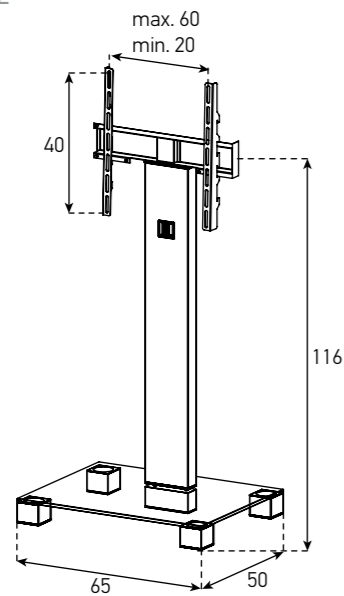


45°



PL 2510-B-INX

- MAX BRACKET LOAD
50 KG
- IDEAL SCREEN SIZE
60"

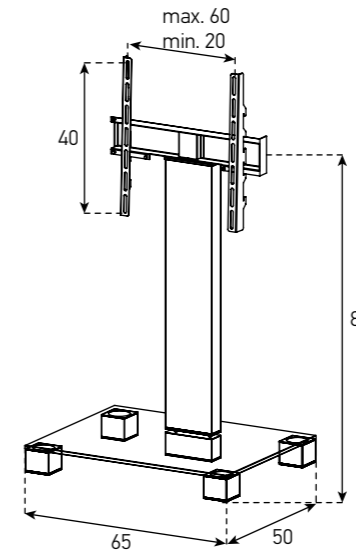


24°



PL 2511-C-INX

- MAX BRACKET LOAD
50 KG
- IDEAL SCREEN SIZE
50"

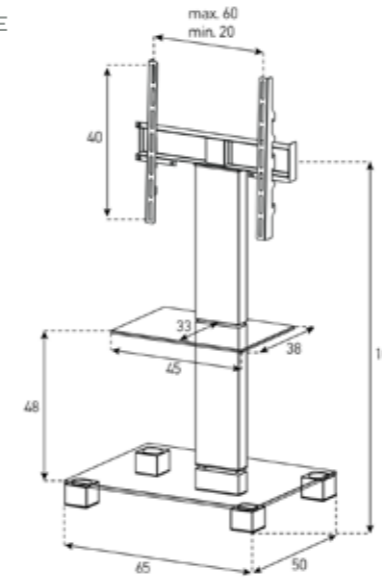


24°



PL 2515-B-HBLK

- MAX BRACKET LOAD
50 KG
- IDEAL SCREEN SIZE
50"



24°

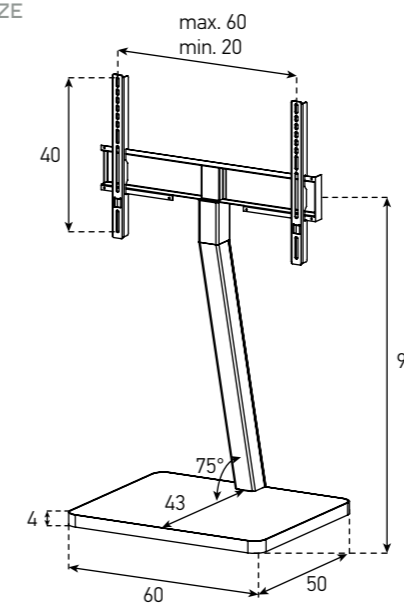


PL 2700-BLK-INX

- MAX BRACKET LOAD
30 KG
- IDEAL SCREEN SIZE
55"

GLASS COLOR OPTIONS

- WHT-WHITE
- BLK-BLACK
- RED-RED
- GRP-GRAPHITE



45°



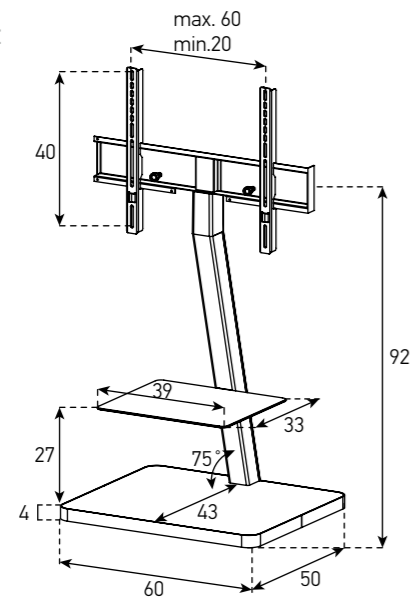
PL 2710-BLK-INX

MAX BRACKET LOAD
30 KG

IDEAL SCREEN SIZE
55"

GLASS COLOR OPTIONS

WHT-WHITE
BLK-BLACK
RED-RED
GRP-GRAPHITE



45°



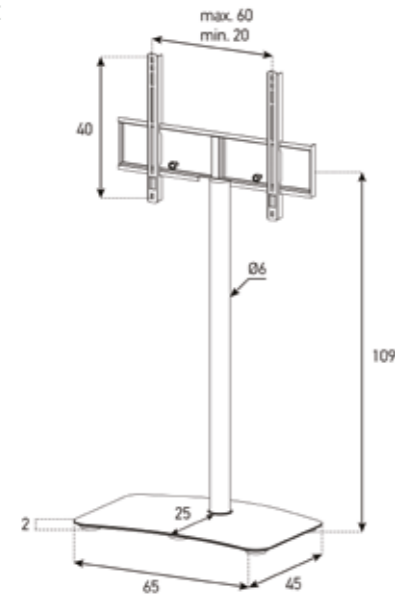
PL 2800-WHT

MAX BRACKET LOAD
30 KG

IDEAL SCREEN SIZE
55"

GLASS COLOR OPTIONS

WHT-WHITE
BLK-BLACK



45°



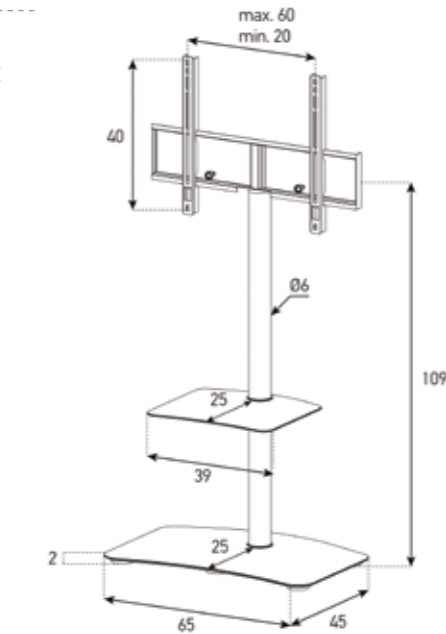
PL 2810-BLK

MAX BRACKET LOAD
30 KG

IDEAL SCREEN SIZE
55"

GLASS COLOR OPTIONS

WHT-WHITE
BLK-BLACK



45°



PL 2700-BLK-INX



PL 2710-BLK-INX



SOUND SYSTEMS

ROXY

TEMPERED GLASS WITH FLAT POLISHED EDGE
 Ø 60 MM AND ELLIPTICAL SHAPED ALUMINIUM
 SQUARE SHAPED ALUMINIUM AND HIDDEN WHEELS FOR RX 5040
 INTEGRATED CABLE MANAGEMENT SYSTEM (NOT AVAILABLE FOR RX 5040)

SPEAKER

UNIVERSAL COMPATIBILITY
 ADJUSTABLE HEIGHT (FOR SP 300)

RX 2130 SP 100¹
 RX 2140 SP 200
 RX 2150 SP 300
 RX 5040² SP 500
 RX 6040³ SP 600

ALUMINIUM COLORS

SLV-SILVER



HBLK-HIGH GLOSS BLACK



INX-INOX



GLASS COLORS

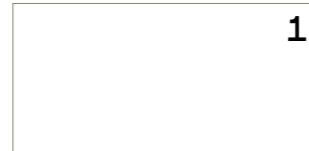
C-CLEAR



B-PIANOBLACK



WHT-WHITE



WOOD COLORS

VIC-VICTORIA



METAL COLORS

BLK-BLACK



WHT-WHITE



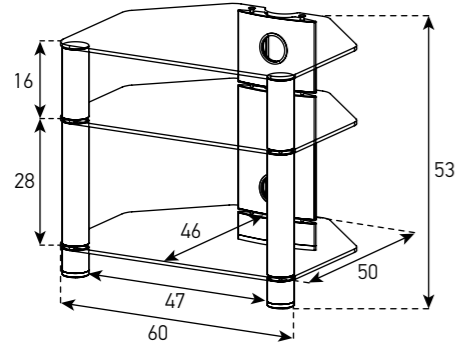
RX 2140-C-SLV
 SP 100-BLK



RX 5040-B-INX
 SP 100 BLK

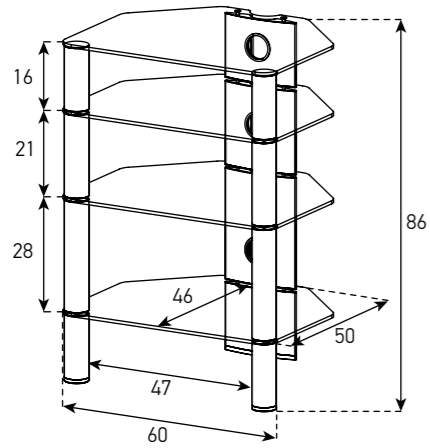
RX 2130-B-HBLK

MAX TOP LOAD
40 KG



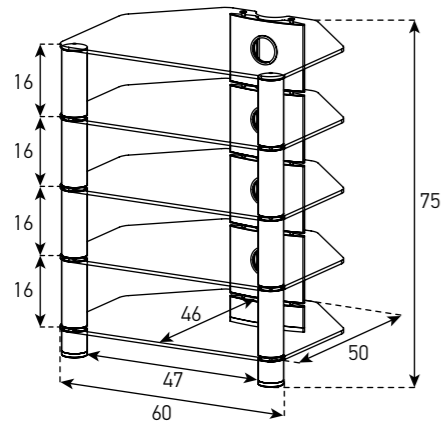
RX 2140-B-SLV

MAX TOP LOAD
40 KG



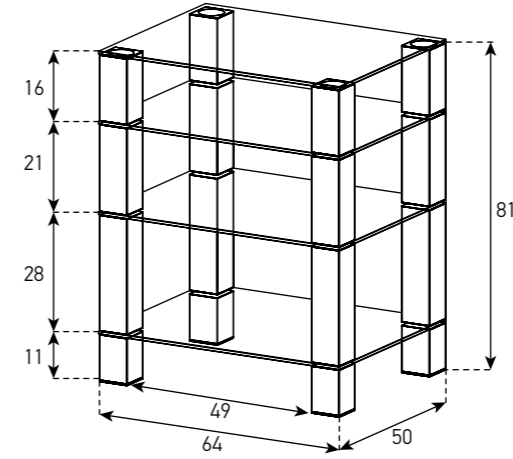
RX 2150-C-SLV

MAX TOP LOAD
40 KG



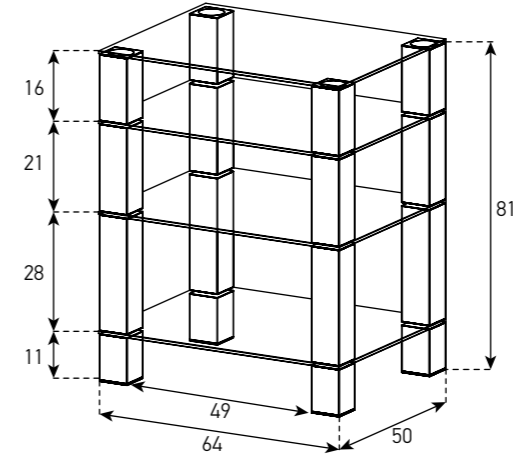
RX 5040-B-INX

MAX TOP LOAD
40 KG



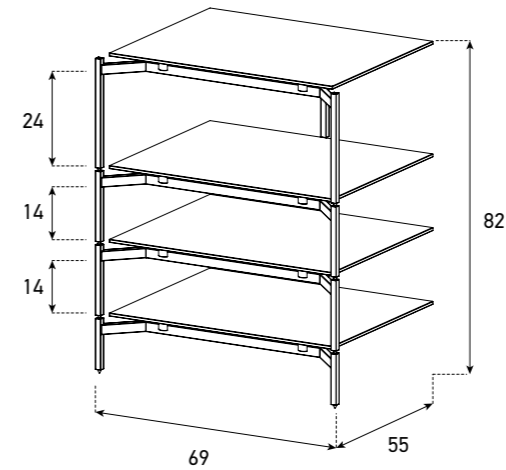
RX 5040-B-HBLK

MAX TOP LOAD
40 KG



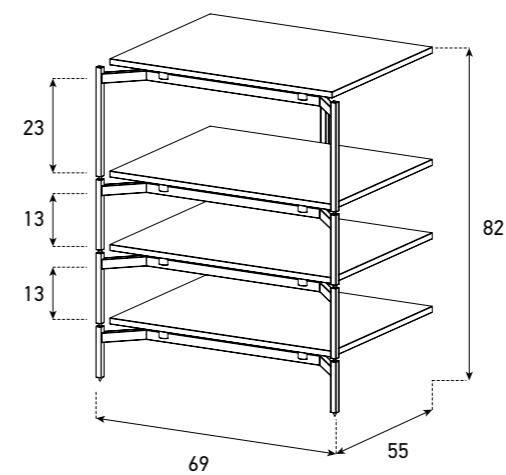
RX 6040-B-HBLK

MAX TOP LOAD
40 KG

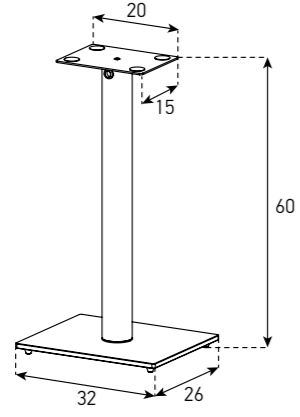


RX 6040-VIC-HBLK

MAX TOP LOAD
40 KG



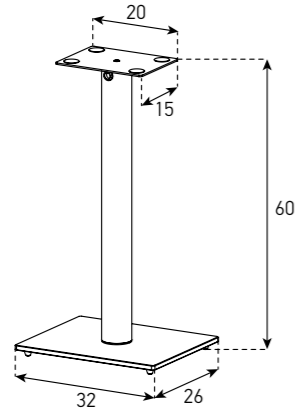
SP 100-B-HBLK



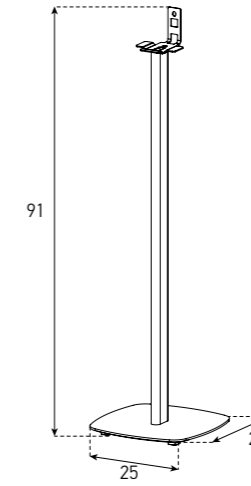
SP 300-B-HBLK



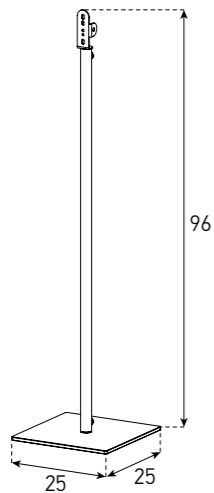
SP 100-WHT-WHT



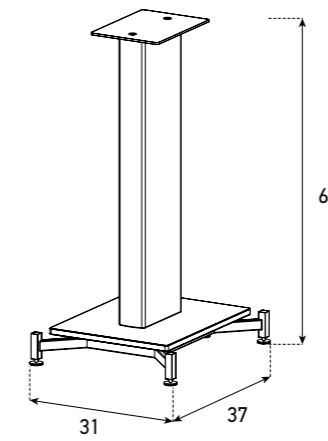
SP 500-BLK



SP 200-B-SLV



SP 600-B-HBLK



PROFFESIONAL SERIES

PR 2000

- 360° EASY-MOVE CASTORS (LOCKING OPTION)
- CABLE MANAGEMENT
- ADJUSTABLE HEIGHT WITH TELESCOPIC POLES (50 CM FLEXIBILITY)
- AV TRAY FOR ELECTRONIC DEVICES
- WIDE MOUNTING PATTERN, 90° ROTATION 2 OPTIONS FOR TV POSITION (LANDSCAPE /PORTRAIT)
- TV HEIGHT ADJUSTMENT MIN. 100 CM, MAX 150 CM.
- UPPER VIDEO TRAY SUPPORT (PROJECTOR / CONFERENCE CALL CAMERA)

PR 2550

- TEMPERED GLASS WITH FLAT POLISHED EDGE
- RECTANGLE SHAPED ALUMINIUM
- INTEGRATED CABLE MANAGEMENT SYSTEM
- HIDDEN CASTERS
- (24°) SWIVEL SYSTEM
- ADJUSTABLE HEIGHT FOR BRACKET

PR 2000-N¹
PR 2550²

PR 2000-S¹
PR 2000-SG¹

ALUMINIUM COLORS

HBLK-HIGH GLOSS BLACK



SLV-SILVER



GLASS COLORS

C-CLEAR



B-PIANOBLACK



METAL COLORS

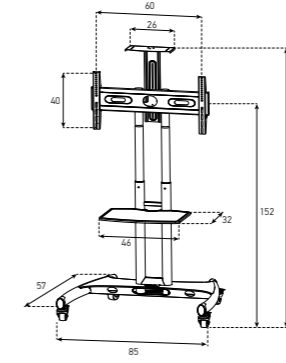
BLK-BLACK



PR 2000-N

MAX BRACKET LOAD
45 KG

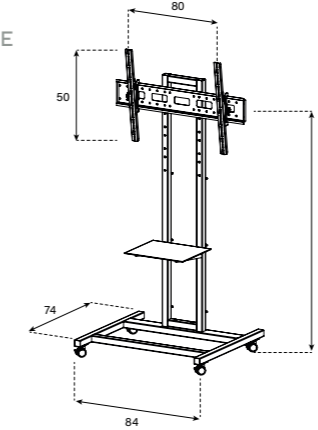
IDEAL SCREEN SIZE
65"



PR 2000-S

MAX BRACKET LOAD
45 KG

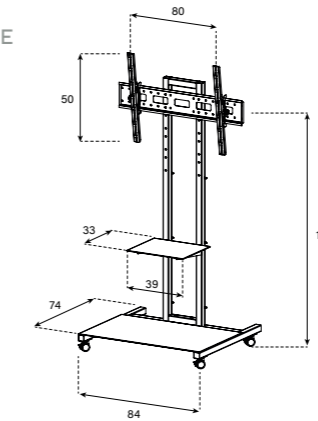
IDEAL SCREEN SIZE
65"



PR 2000-SG

MAX BRACKET LOAD
45 KG

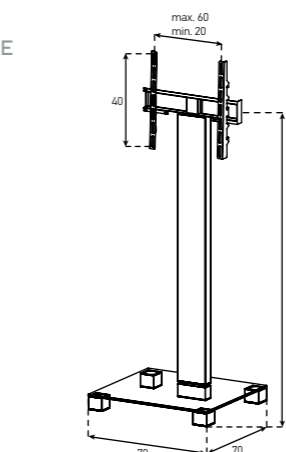
IDEAL SCREEN SIZE
65"



PR 2550-B-HBLK

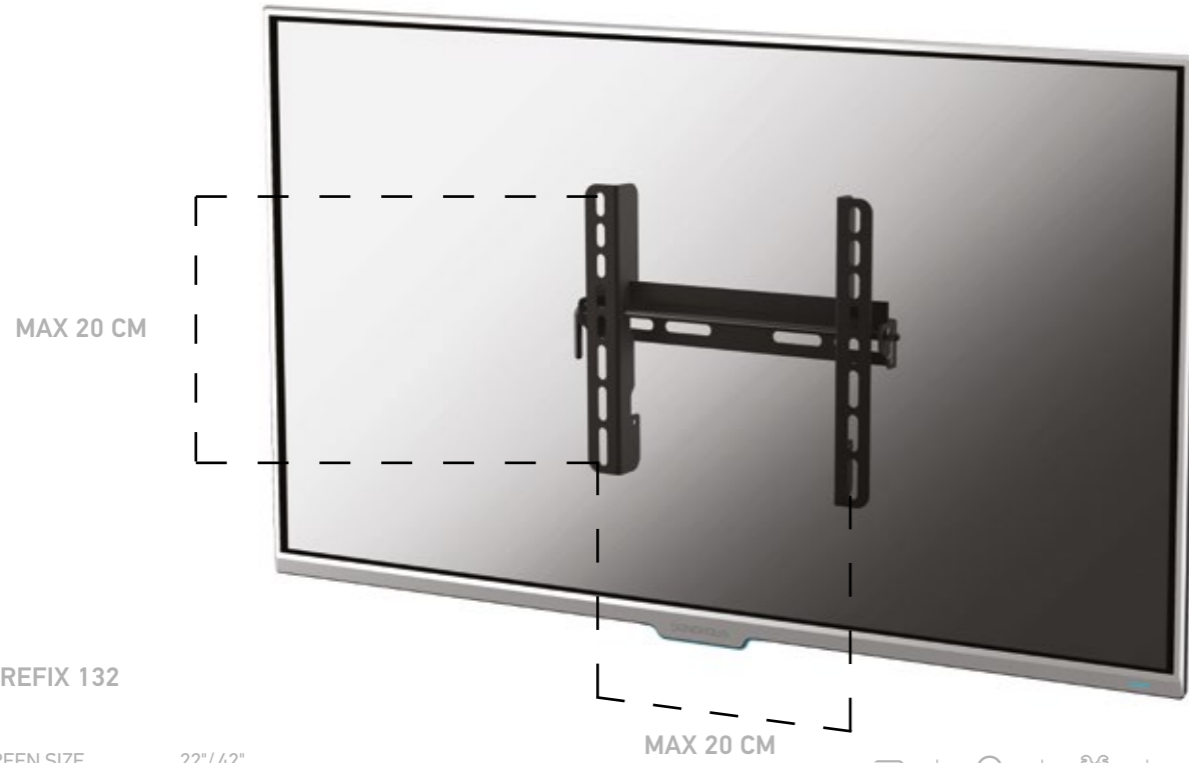
MAX BRACKET LOAD
50 KG

IDEAL SCREEN SIZE
50"



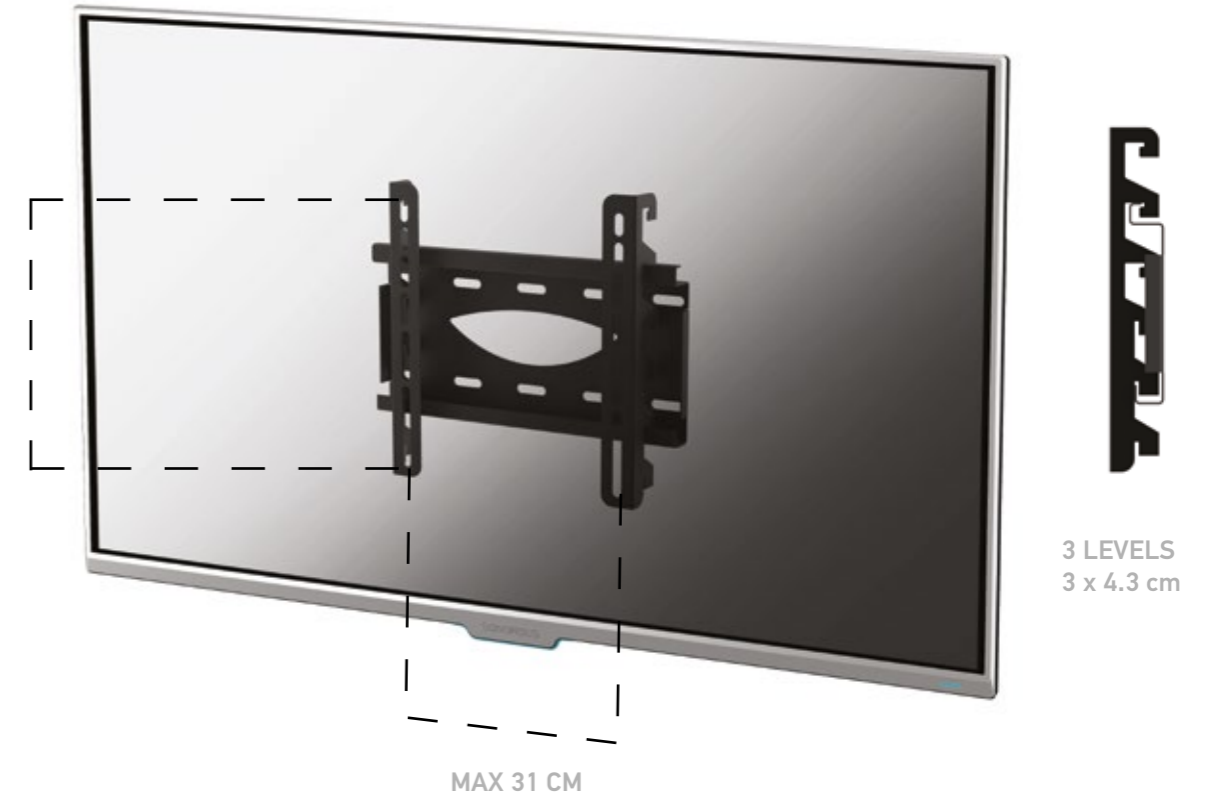
WALL MOUNTS

FIXED



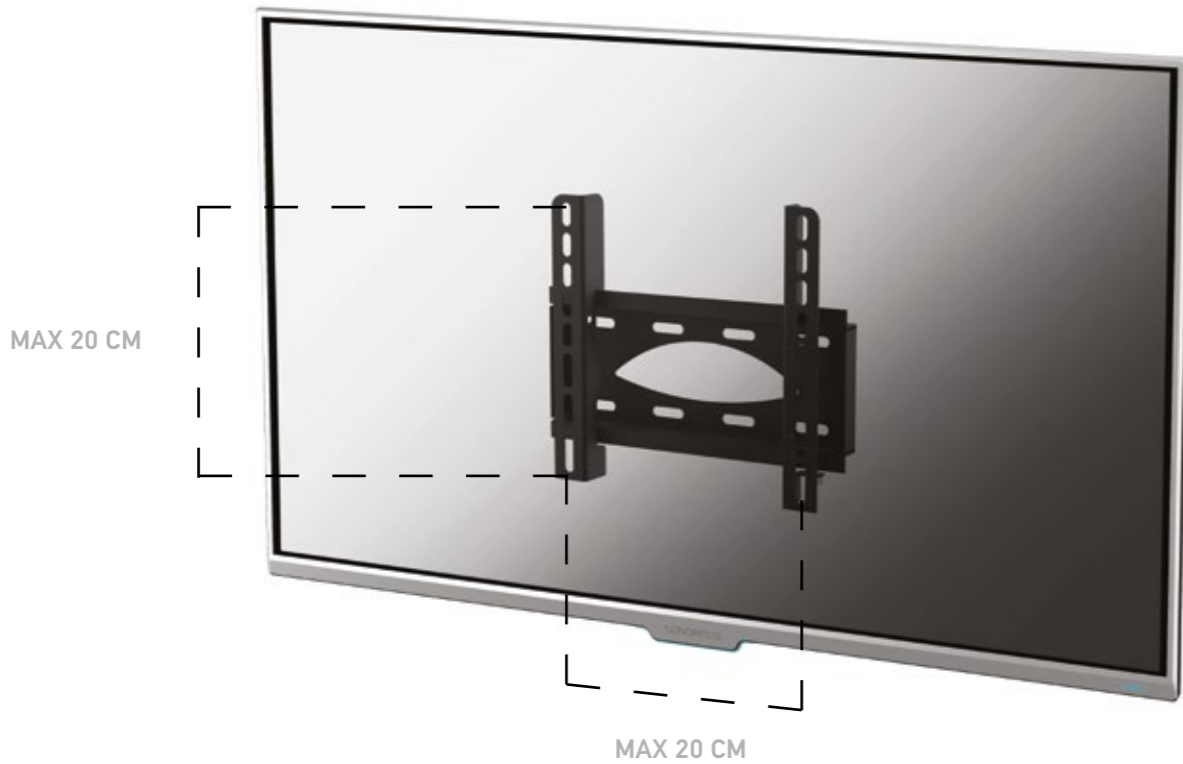
SUREFIX 132

SCREEN SIZE 22"/42"
 MAX. LOAD 40 KG
 DISTANCE TO WALL 29 MM



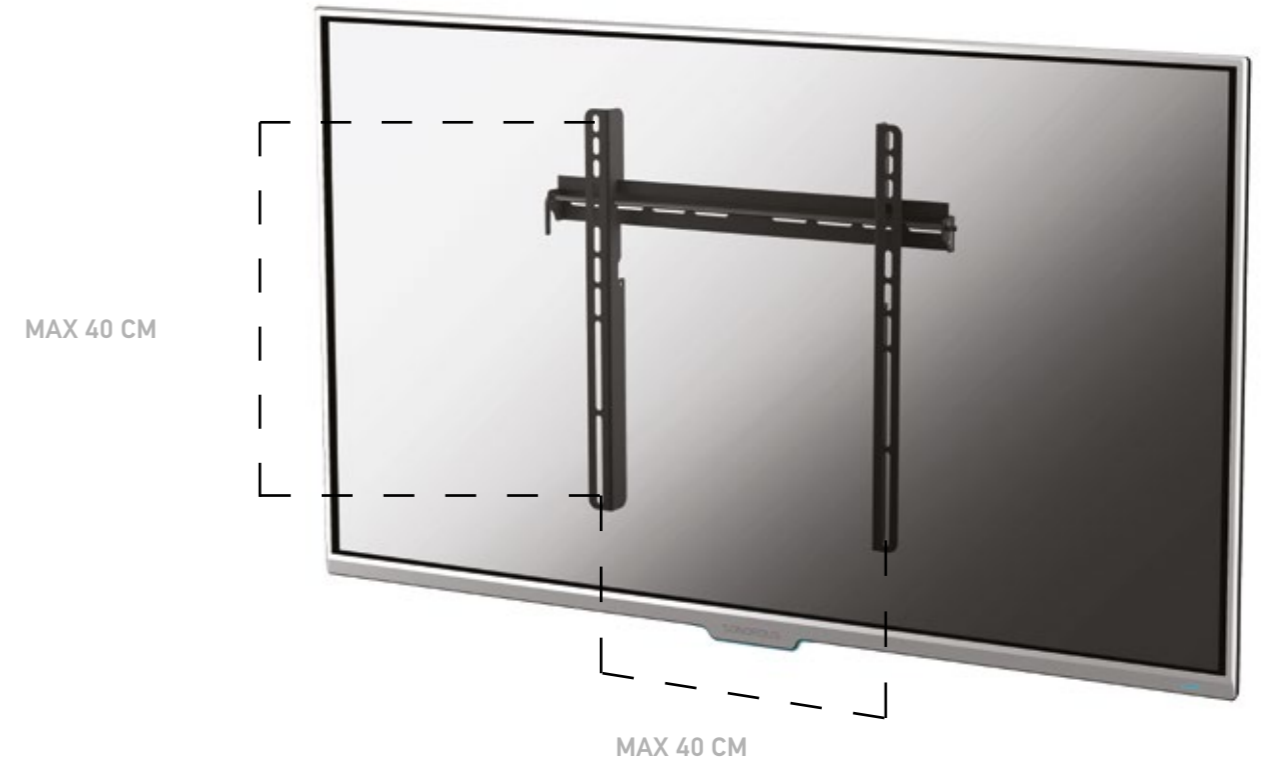
SUREFIX 221

SCREEN SIZE 22"/65"
 MAX. LOAD 30 KG
 DISTANCE TO WALL 39 MM
 ADJUSTABLE POSITION



SUREFIX 220

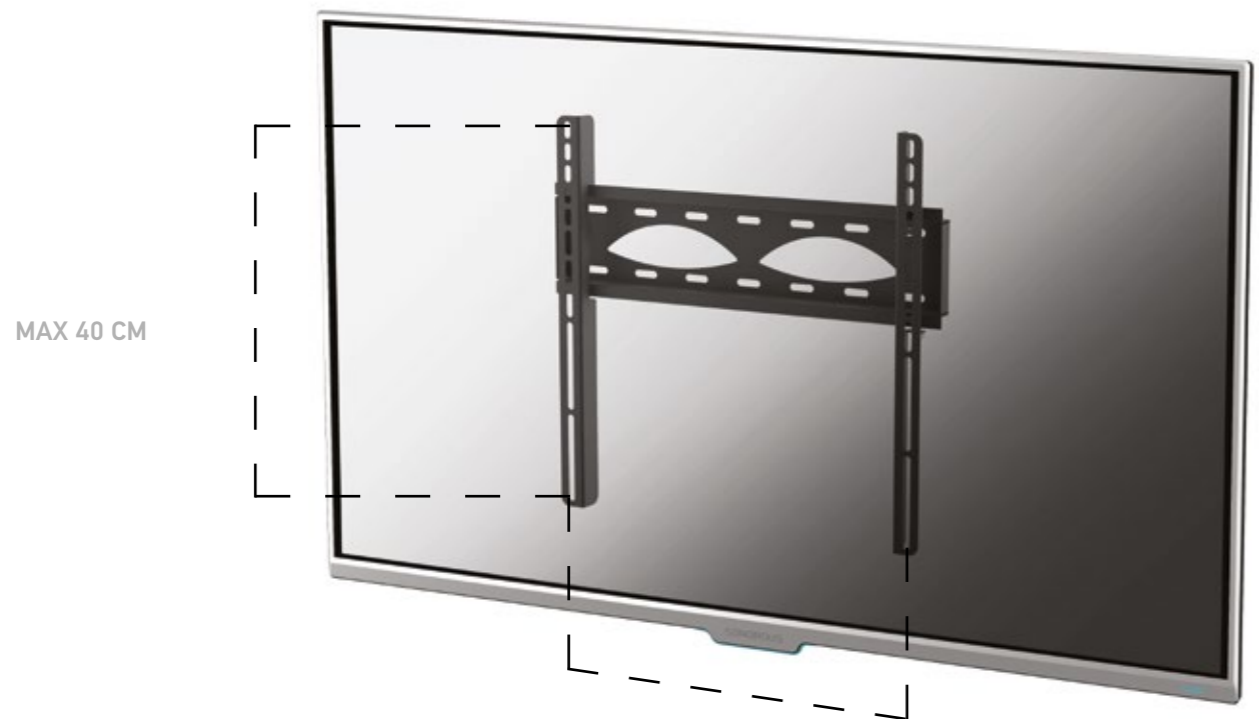
SCREEN SIZE 22"/42"
 MAX. LOAD 40 KG
 DISTANCE TO WALL 36 MM



SUREFIX 142

SCREEN SIZE 26"/85"
 MAX. LOAD 50 KG
 DISTANCE TO WALL 29 MM





MAX 40 CM

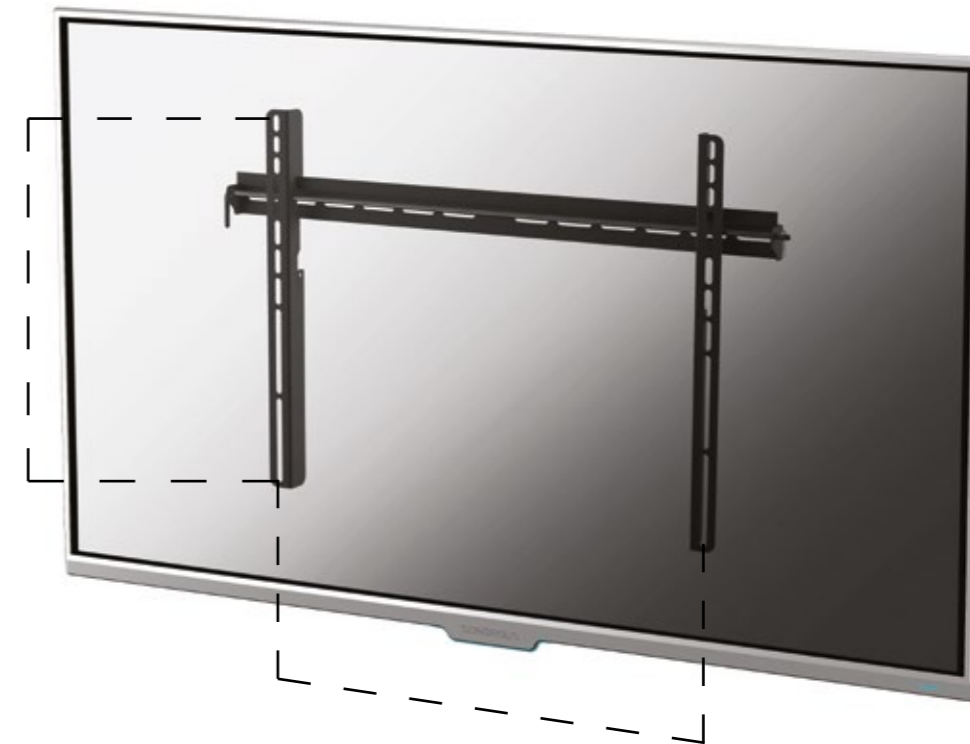
SUREFIX 230

MAX 40 CM

SCREEN SIZE 32"/85"
 MAX. LOAD 50 KG
 DISTANCE TO WALL 36 MM



VESA IS A REGISTERED TRADE MARK OF VIDEO ELECTRONICS STANDARDS ASSOCIATION



MAX 40 CM

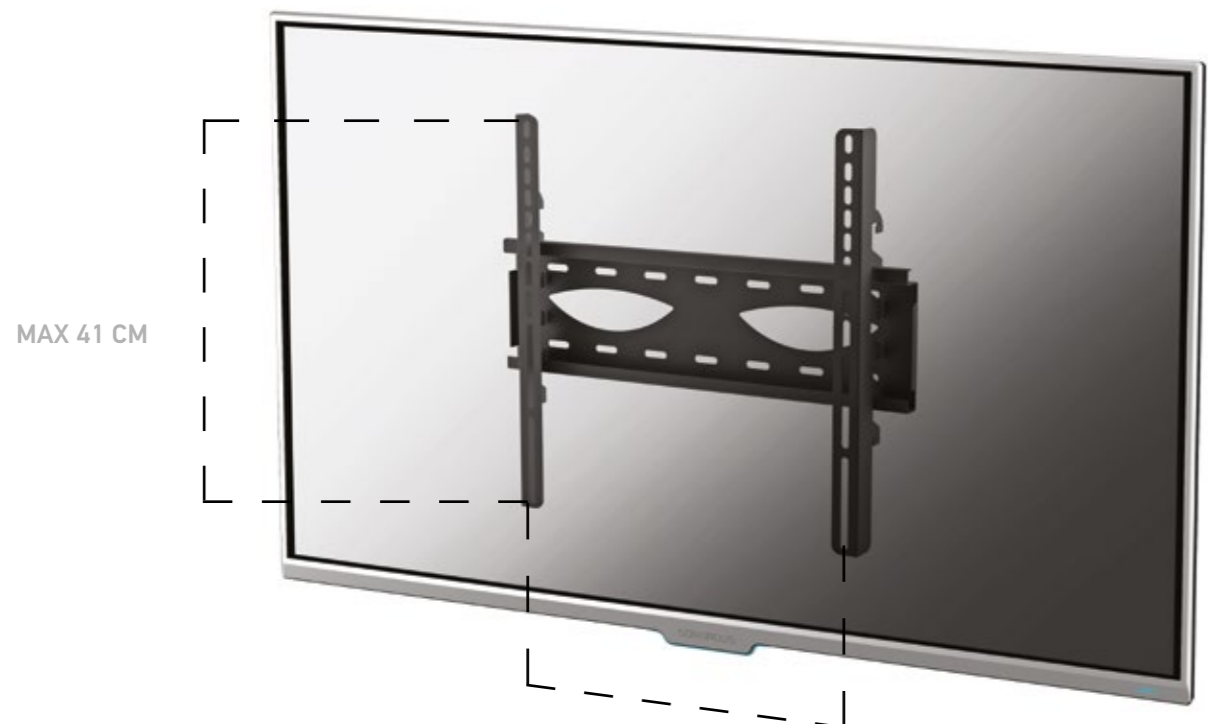
SUREFIX 152

MAX 60 CM

SCREEN SIZE 40"/85"
 MAX. LOAD 70 KG
 DISTANCE TO WALL 29 MM



VESA IS A REGISTERED TRADE MARK OF VIDEO ELECTRONICS STANDARDS ASSOCIATION



MAX 41 CM

SUREFIX 231

MAX 51 CM

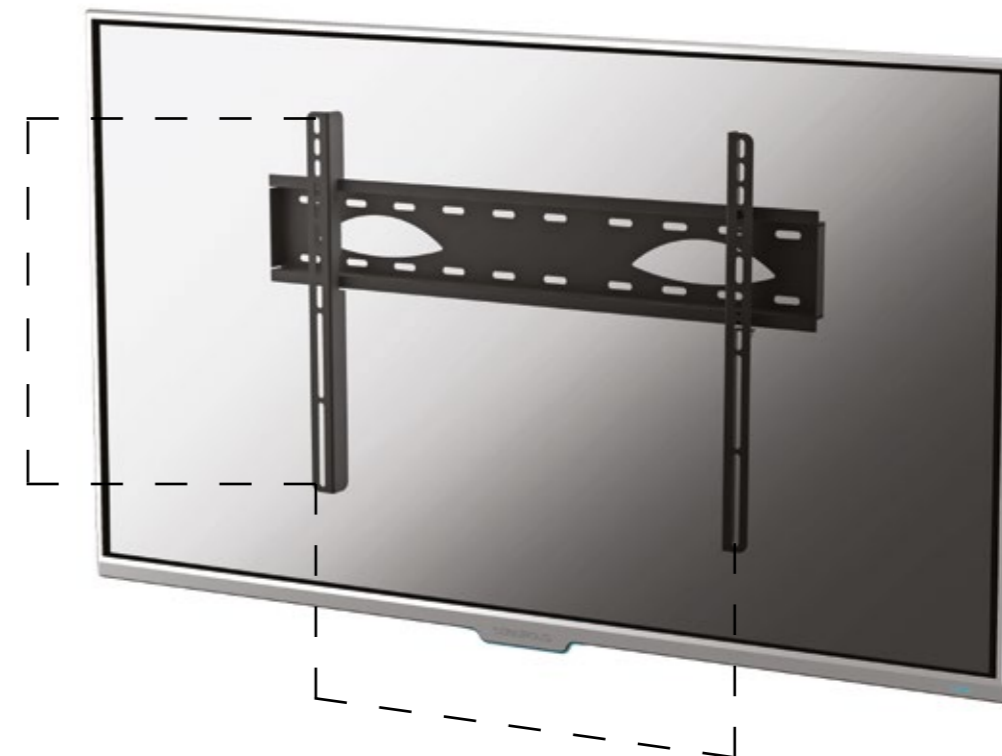
SCREEN SIZE 32"/85"
 MAX. LOAD 40 KG
 DISTANCE TO WALL 53 MM
 ADJUSTABLE POSITION



3 LEVELS
 3 x 4.3 cm



VESA IS A REGISTERED TRADE MARK OF VIDEO ELECTRONICS STANDARDS ASSOCIATION



MAX 40 CM

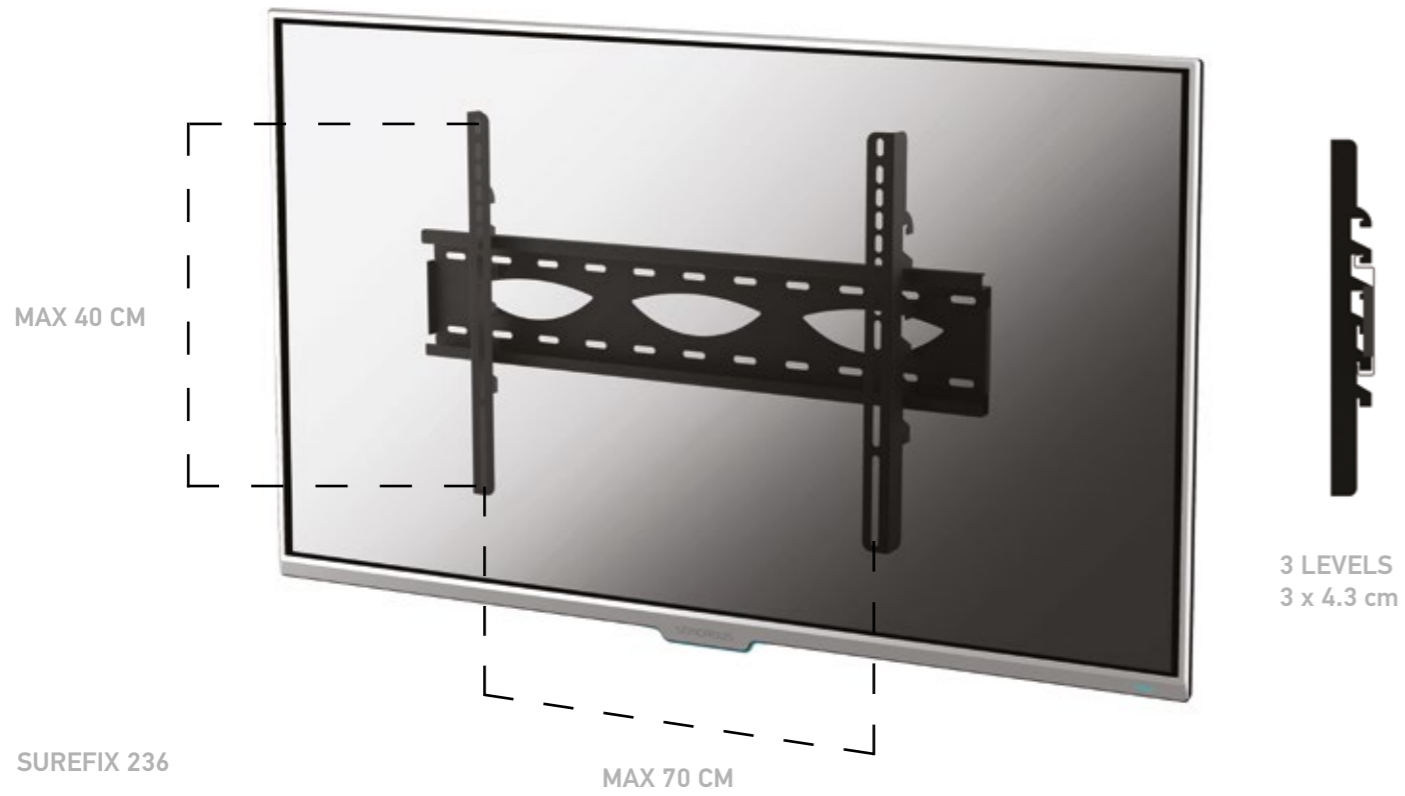
SUREFIX 235

MAX 60 CM

SCREEN SIZE 32"/85"
 MAX. LOAD 60 KG
 DISTANCE TO WALL 36 MM



VESA IS A REGISTERED TRADE MARK OF VIDEO ELECTRONICS STANDARDS ASSOCIATION

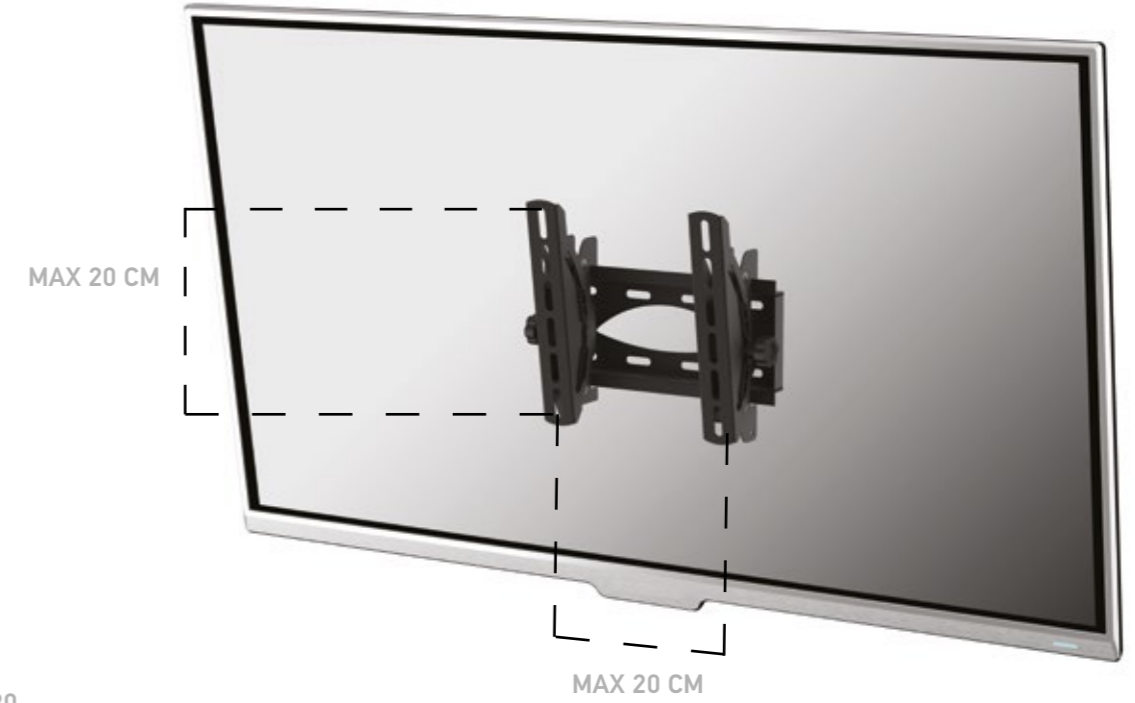


SUREFIX 236

SCREEN SIZE 32"/85"
 MAX. LOAD 50 KG
 DISTANCE TO WALL 53 MM
 ADJUSTABLE POSITION

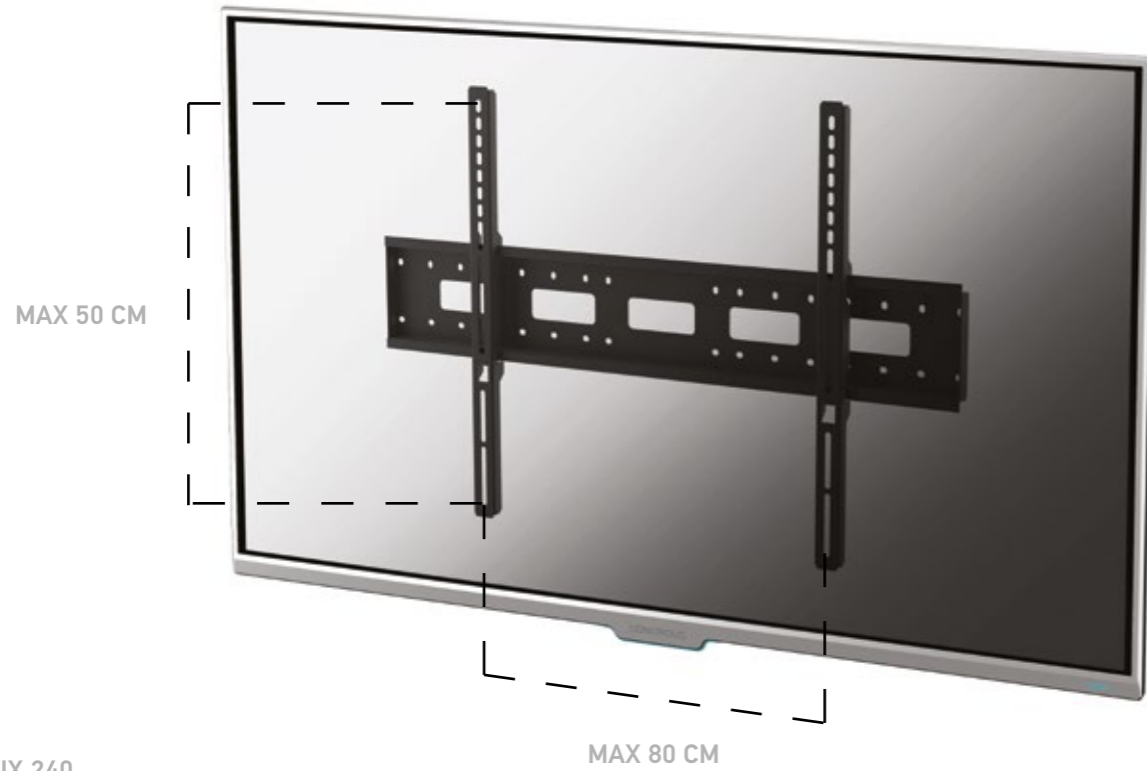


TILT



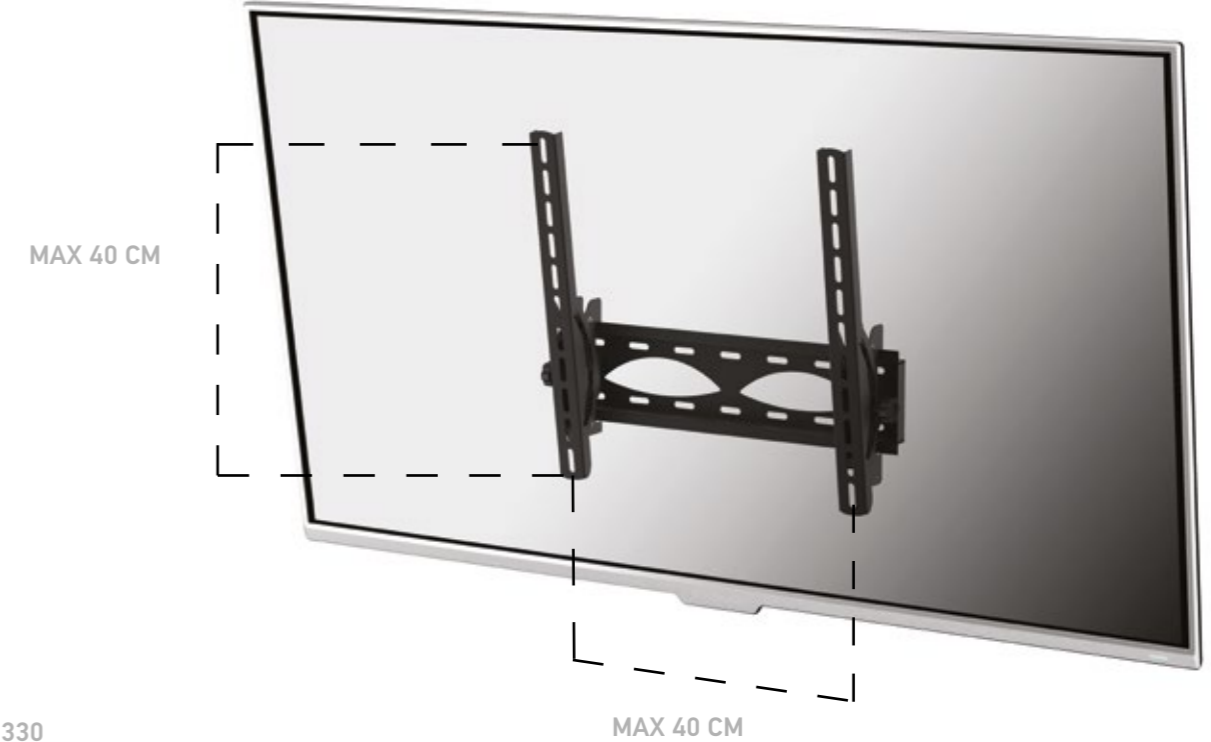
SUREFIX 320

SCREEN SIZE 22"/65"
 MAX. LOAD 30 KG
 DISTANCE TO WALL 69 MM
 TILT ±10°



SUREFIX 240

SCREEN SIZE 40"/85"
 MAX. LOAD 80 KG
 DISTANCE TO WALL 36 MM

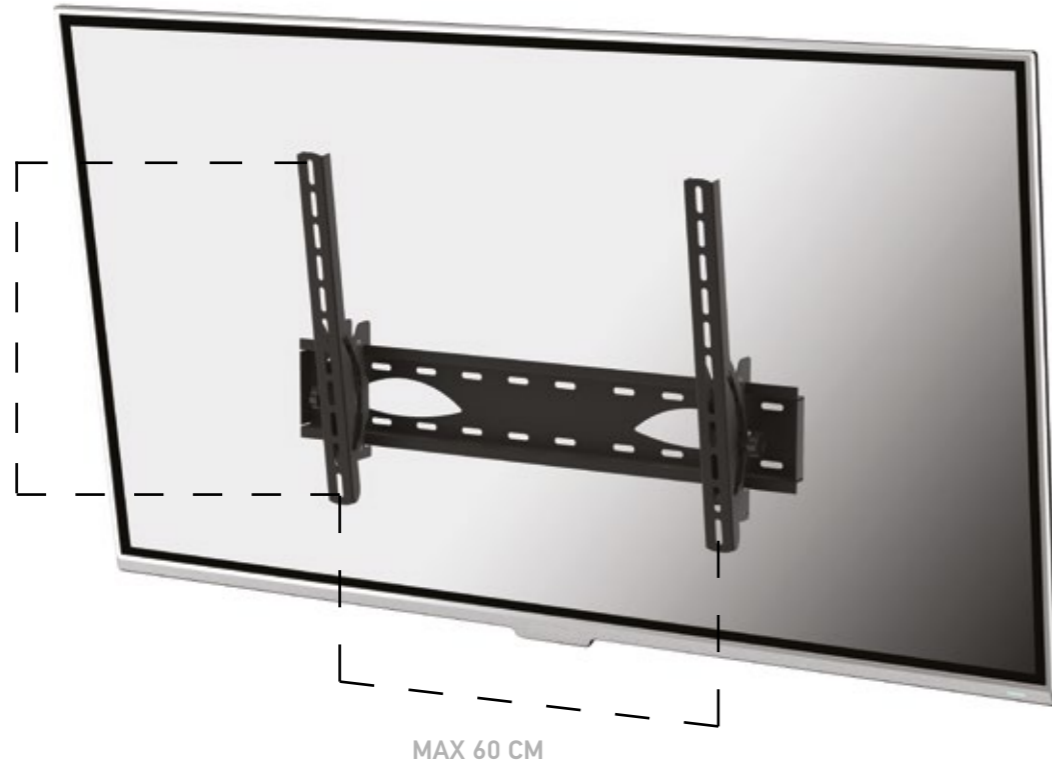


SUREFIX 330

SCREEN SIZE 26"/85"
 MAX. LOAD 40 KG
 DISTANCE TO WALL 69 MM
 TILT ±10°



MAX 40 CM



MAX 60 CM

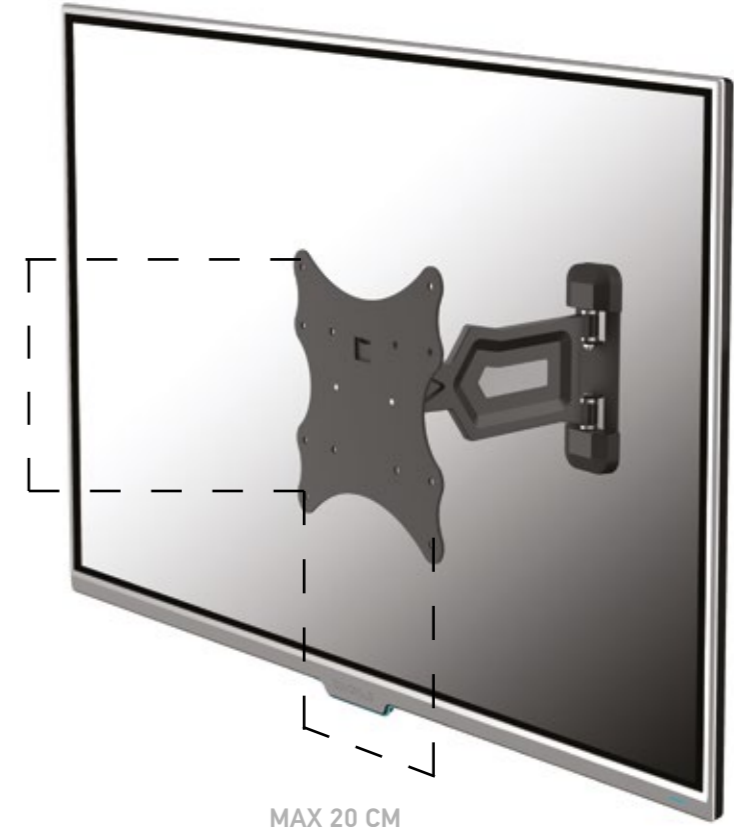
SUREFIX 335

SCREEN SIZE	40"/85"
MAX. LOAD	50 KG
DISTANCE TO WALL	69 MM
TILT	±10°



OMNI-MOVE

MAX 20 CM



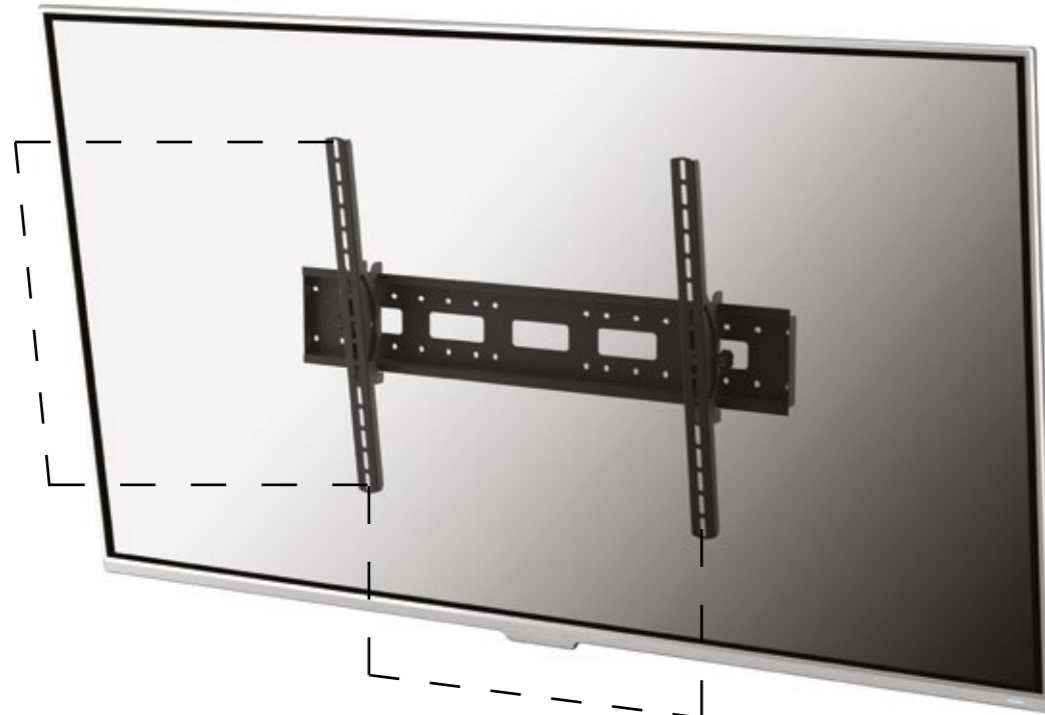
MAX 20 CM

SUREFIX 515

SCREEN SIZE	22"/42"
MAX. LOAD	20 KG
DISTANCE TO WALL	54 - 250 MM
TILT	-2/10°
SWIVEL	180°



MAX 50 CM



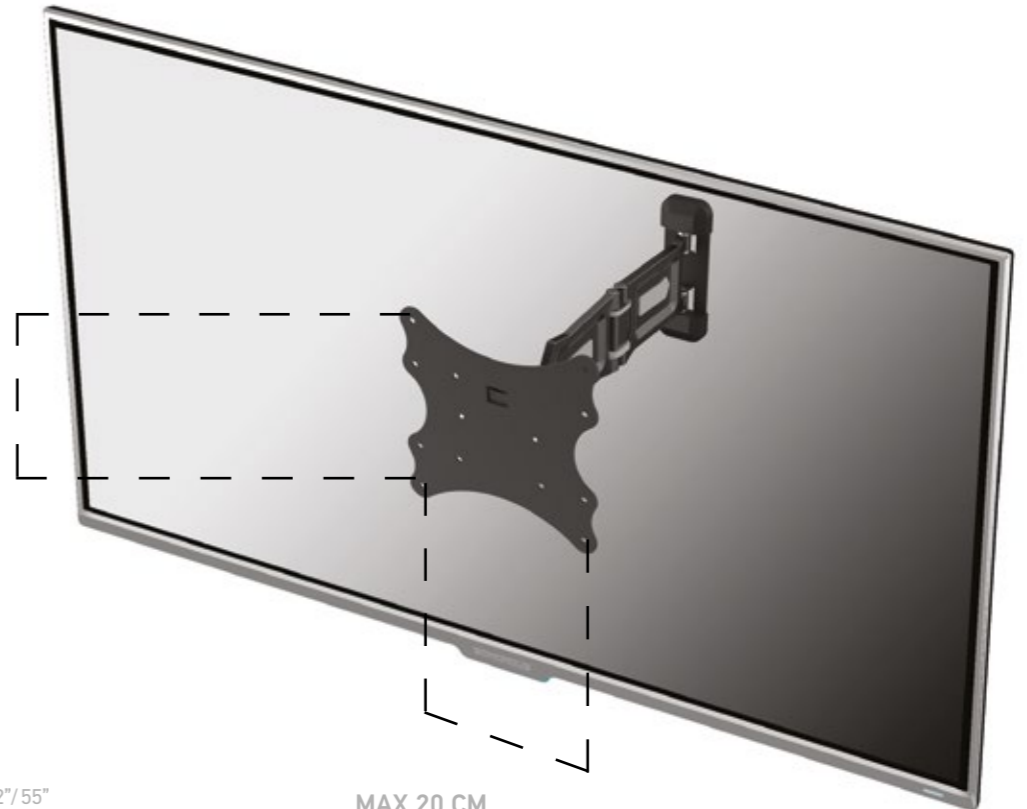
MAX 80 CM

SUREFIX 340

SCREEN SIZE	40"/85"
MAX. LOAD	70 KG
DISTANCE TO WALL	72 MM
TILT	±10°



MAX 20 CM

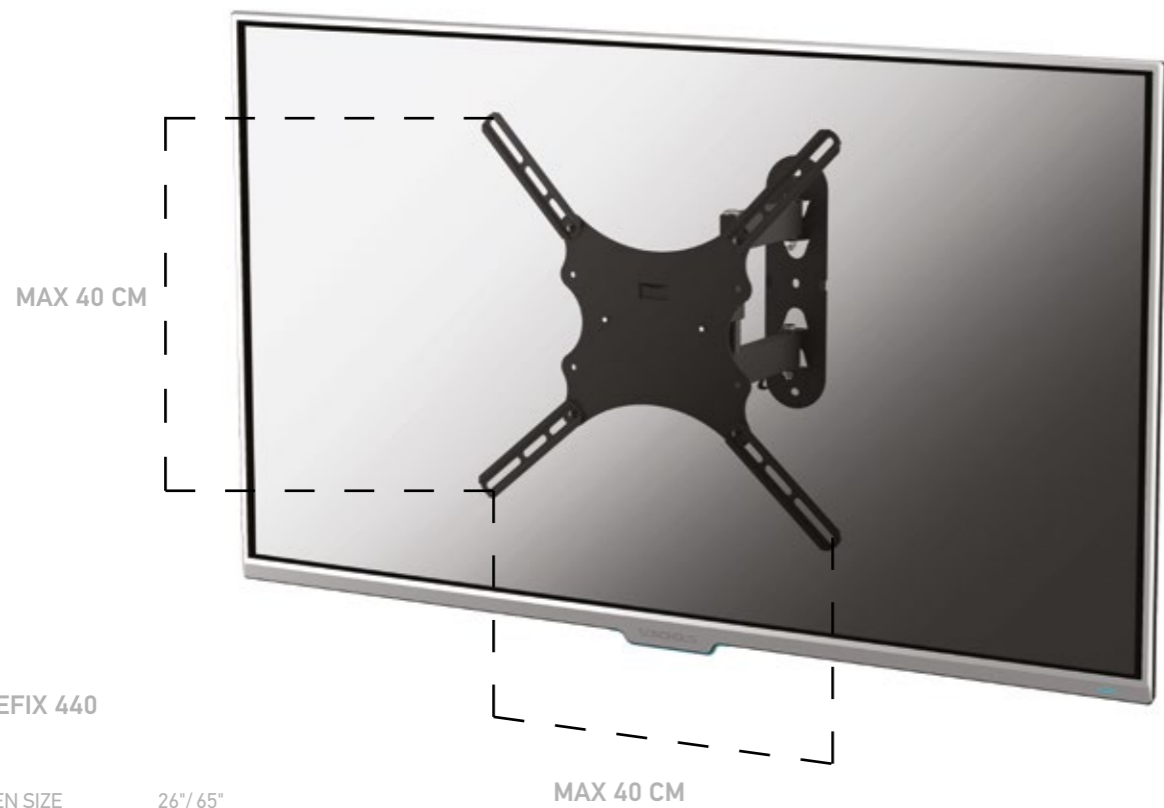


MAX 20 CM

SUREFIX 525

SCREEN SIZE	22"/55"
MAX. LOAD	50 KG
DISTANCE TO WALL	55 - 438MM
TILT	-2/10°
SWIVEL	180°

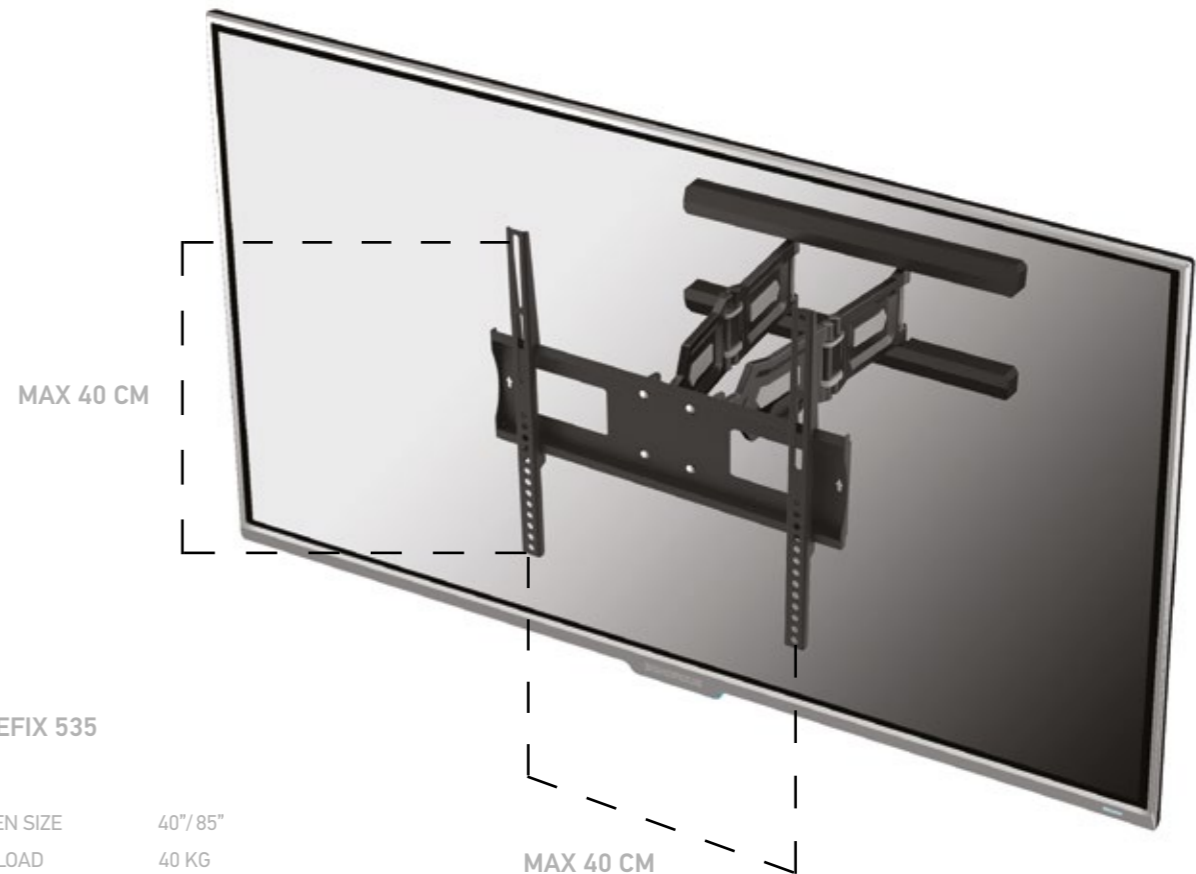




SUREFIX 440

SCREEN SIZE	26"/65"
MAX. LOAD	25 KG
DISTANCE TO WALL	52-376 MM
TILT	±15°
SWIVEL	180°

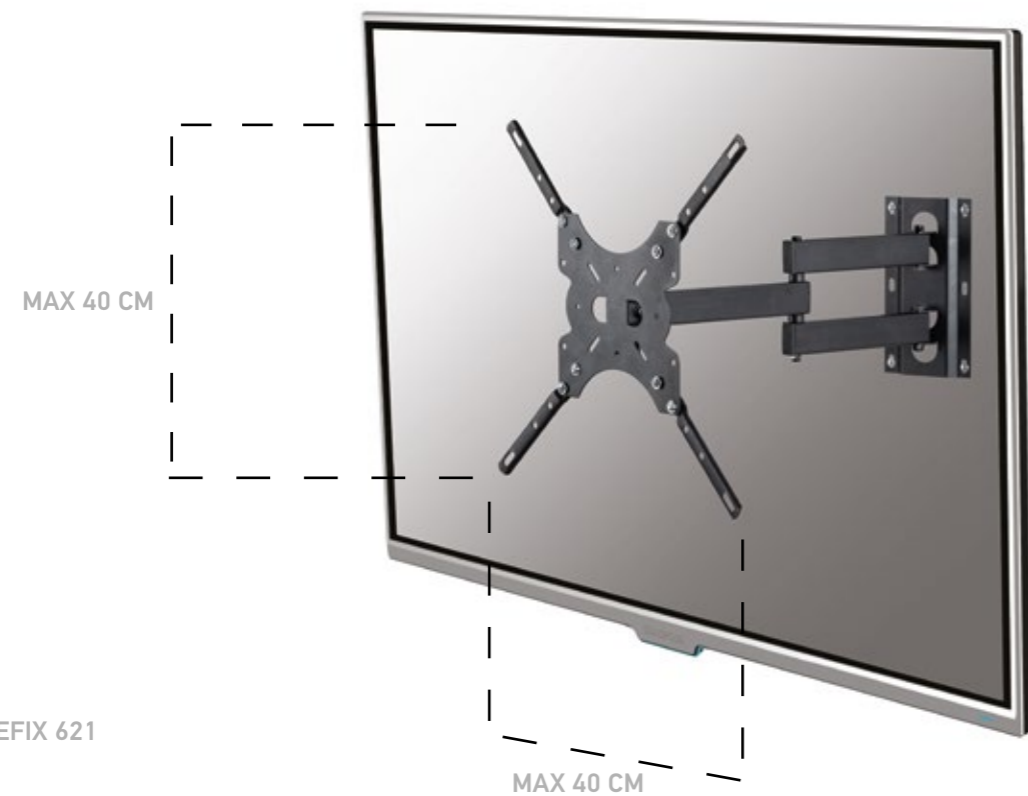
 UNIVERSAL |
  LIFETIME WARRANTY |
  ALL HARDWARE INCLUDED |
  FALL PROOF |
  VESA 200x200, 400x200, 400x400
VESA IS A REGISTERED TRADE MARK OF VIDEO ELECTRONICS STANDARDS ASSOCIATION



SUREFIX 535

SCREEN SIZE	40"/85"
MAX. LOAD	40 KG
DISTANCE TO WALL	80-465 MM
TILT	+5/-15°
SWIVEL	180°

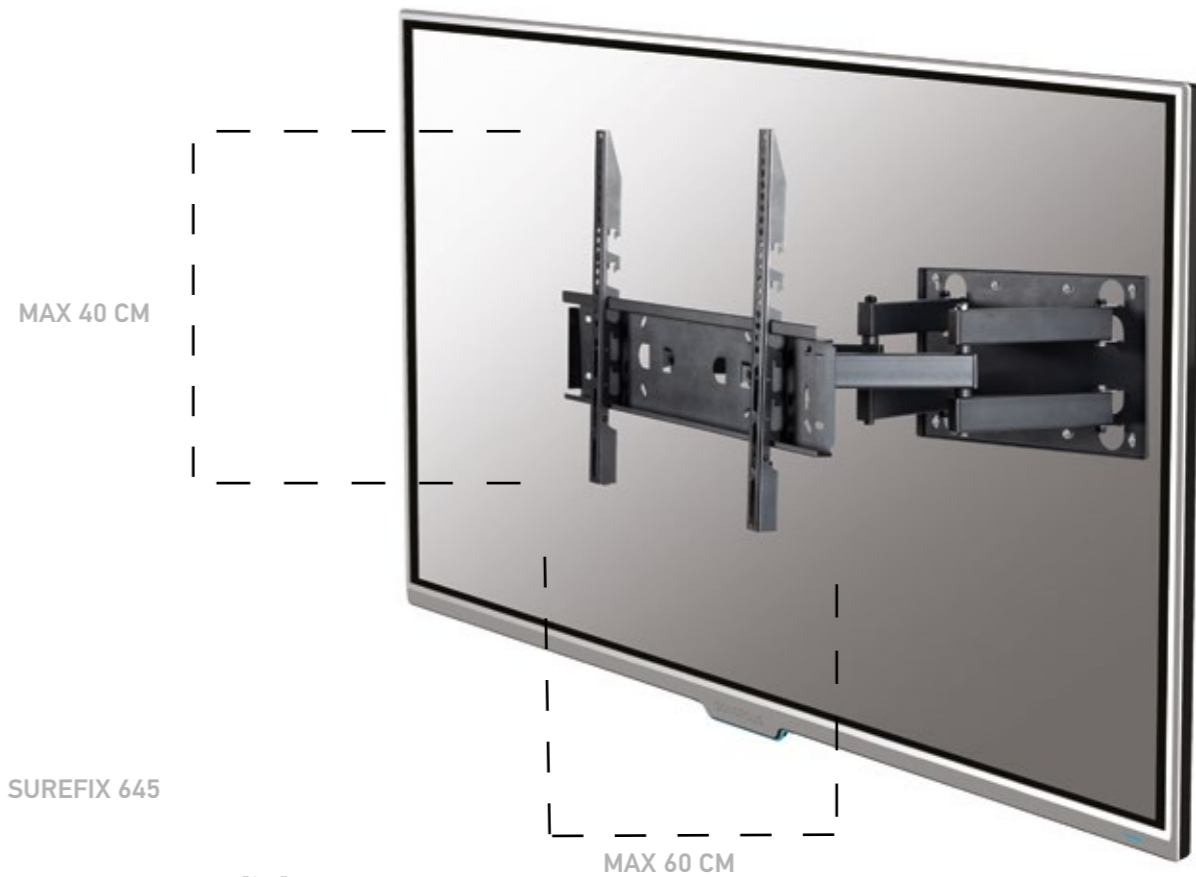
 UNIVERSAL |
  LIFETIME WARRANTY |
  ALL HARDWARE INCLUDED |
  FALL PROOF |
  VESA 200x200, 400x200, 400x400
VESA IS A REGISTERED TRADE MARK OF VIDEO ELECTRONICS STANDARDS ASSOCIATION



SUREFIX 621

SCREEN SIZE	26"/65"
MAX. LOAD	20 KG
DISTANCE TO WALL	50-500 MM
TILT	-2°/+15°
SWIVEL	180°

 UNIVERSAL |
  LIFETIME WARRANTY |
  ALL HARDWARE INCLUDED |
  FALL PROOF |
  VESA 200x200, 400x200, 400x400
VESA IS A REGISTERED TRADE MARK OF VIDEO ELECTRONICS STANDARDS ASSOCIATION

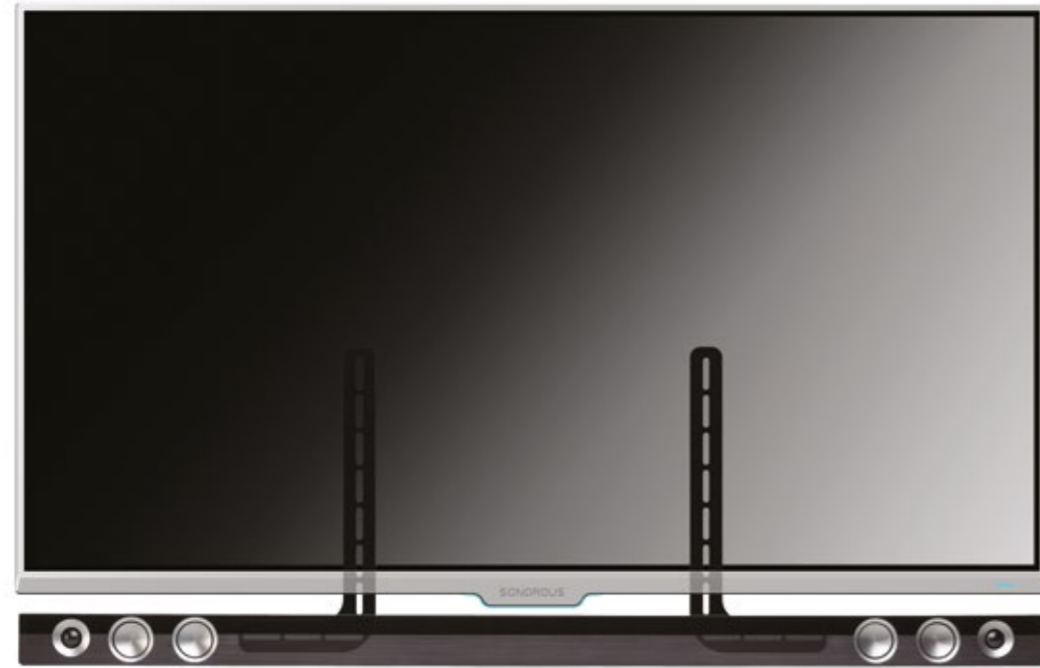


SUREFIX 645

SCREEN SIZE	40"/75"
MAX. LOAD	35 KG
DISTANCE TO WALL	130 - 500 MM
TILT	+5/-15°
SWIVEL	180°

 UNIVERSAL |
  LIFETIME WARRANTY |
  ALL HARDWARE INCLUDED |
  FALL PROOF |
  VESA 200x200, 300x300, 400x200, 400x400, 600x400
VESA IS A REGISTERED TRADE MARK OF VIDEO ELECTRONICS STANDARDS ASSOCIATION

SOUNDBAR



SUREFIX SOUNDBAR

MAX. LOAD 30 KG



CABLE CHANNEL



CC 50 CM / CC 100 CM AUDIO & VIDEO WALL SUPPORT

HEIGHT 50 CM / 100 CM
ALUMINIUM COLOR OPTIONS SILVER, BLACK



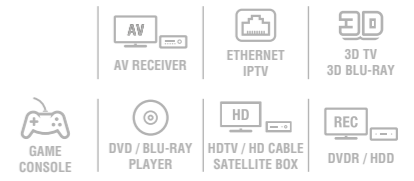
CABLES

HDMI



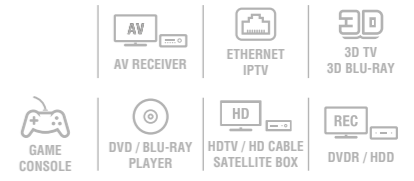
HDMI FLEX

HDMI 19 PIN-M TO HDMI 19 PIN-M
HDMI v2.0 COMPLIANT, SUPPORTS 1080P
100% TRIPLE SHIELD
24 K GOLD PLATED CONNECTORS
OXYGEN FREE COPPER CONDUCTORS
180° FLEXIBILITY
PLASTIC SHELL
1.5 M & 2 M LENGTH



HDMI PRO

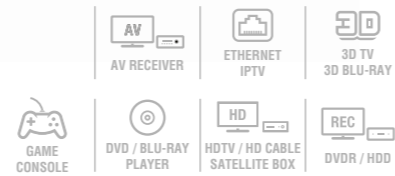
HDMI 19 PIN-M TO HDMI 19 PIN-M
HDMI v2.0 COMPLIANT, SUPPORTS 1080P
100% TRIPLE SHIELD
24 K GOLD PLATED CONNECTORS
OXYGEN FREE COPPER CONDUCTORS
PLASTIC SHELL
5 M, 10 M, 15 M, 20 M LENGTH





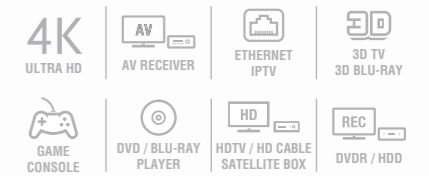
HDMI BLACK

HDMI 19 PIN-M TO HDMI 19 PIN-M
 HDMI v2.0 COMPLIANT, SUPPORTS 1080P
 100% TRIPLE SHIELD
 BLACK COLOR NYLON JACKET
 24 K GOLD PLATED CONNECTORS
 OXYGEN FREE COPPER CONDUCTORS
 HIGH GLOSS METALLIC SHELL
 1.5 M & 2 M & 3 M LENGTH



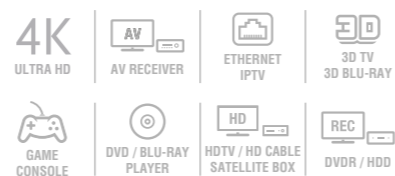
HDMI SILVER

HDMI 19 PIN-M TO HDMI 19 PIN-M
 HDMI v2.0 COMPLIANT, SUPPORTS 1080P
 100% TRIPLE SHIELD
 SILVER COLOR NYLON JACKET
 24 K GOLD PLATED CONNECTORS
 OXYGEN FREE COPPER CONDUCTORS
 PLASTIC SHELL
 1.5 M & 2 M LENGTH



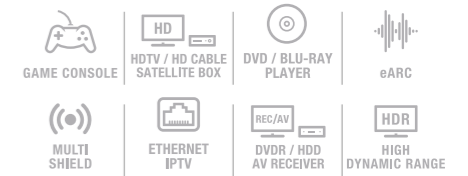
HDMI ULTRA HD

HDMI 19 PIN-M TO HDMI 19 PIN-M
 HDMI v2.0 COMPLIANT, SUPPORTS 1080P - 2160P
 100% TRIPLE SHIELD
 BLACK COLOR NYLON JACKET
 24 K GOLD PLATED CONNECTORS
 OXYGEN FREE COPPER CONDUCTORS
 PLASTIC SHELL
 1.5 M, 2 M & 3 M XLENGTH



HDMI ADVANCED

HDMI 19 PIN G/F, SHELL G/F
 SUPPORT 4K RESOLUTION AT 120HZ, 8K RESOLUTION AT 60HZ,
 FEATURES DYNAMIC HDR, eARC, ALLM, QFT, QMS AND VRR
 100% TRIPLE SHIELD
 HIGH PURITY OXYGEN FREE COPPER WIRING
 HDR, HDCP 2.2 & 2.3, DTS: X, DOLBY ATMOS AND DOLBY VISION
 BLACK COLOR PVC JACKET
 GOLD PLATED CONNECTORS
 PLASTIC SHELL
 2 M LENGTH

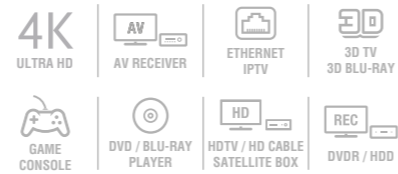


AUDIO



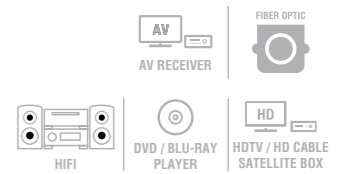
HDMI SLIM

HDMI 19 PIN-M TO HDMI 19 PIN-M
 HDMI v2.0 COMPLIANT, SUPPORTS 1080P
 100% TRIPLE SHIELD
 WHITE & BLACK COLOR CABLE
 24 K GOLD PLATED CONNECTORS
 OXYGEN FREE COPPER CONDUCTORS
 SHORT PLASTIC SHELL
 1.5 M & 3 M LENGTH



OPTIC

Fiber Optic / Toslink Audio connection
 For transmitting the optical digital audio signal, e.g. CD player to amplifier
 1.5 M, 3 M LENGTH

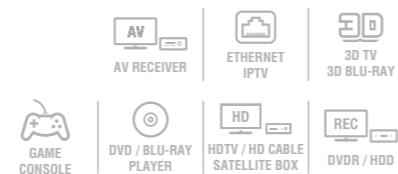


USB



HDMI EVO

HDMI 19 PIN-M TO HDMI 19 PIN-M
 HDMI v2.0 COMPLIANT, SUPPORTS 1080P
 100% TRIPLE SHIELD
 24 K GOLD PLATED CONNECTORS
 OXYGEN FREE COPPER CONDUCTORS
 PLASTIC SHELL
 1.5 M & 3 M LENGTH

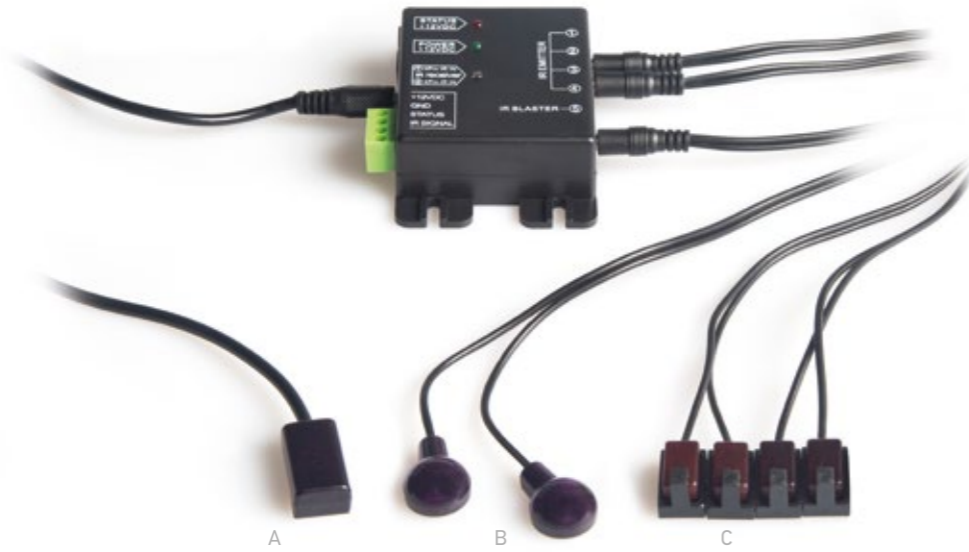


USB TYPE-C

TYPE-C TO USB-A CABLE
 HIGH SPEED DATA TRANSFER CHARGING AND DATA SYNCHRONIZATION
 USB 2.0 COMPATIBLE
 1.5 M LENGTH



IR REPEATER



IR REPEATER
Full Control for Home Theater Components Located Behind Cabinet Doors

- HIDDEN IR REPEATER BOX
- IR RECEIVER WITH 2 M CORD (A)
- TWO DUAL OUTPUT BLASTERS WITH 2 M CORD AND MINI PLUG CONNECTOR (B)
- FOUR DUAL OUTPUT EMITTERS WITH 2 M & 4 M CORD AND MINI PLUG CONNECTOR (C)
- PLUG-IN POWER SUPPLY



TV STRAP - ANTI TIP



The TV Strap improves the safety of your home. It connects the TV to furniture to prevent tipping over due to earthquakes or impacts, which could otherwise result in serious injuries and even fatalities in the case of children. With its universal design, the Anti-Tip Strap can support TVs up to 84".



ACCESSORIES

REMOTE STAND 500

Brown

White

Black



SCREEN SOLUTION

SCREEN SAVER

Sonorous Screen Saver reduces the static electricity and provides UV protection. It can even be applied on warm screens and works on all CRT, TFT, LCD screens and furniture.

SIZE: 150 ML



MONITOR STAND



MAX. LOAD: 10 KG



SAFETY
GLASS



EASY
ASSEMBLY

